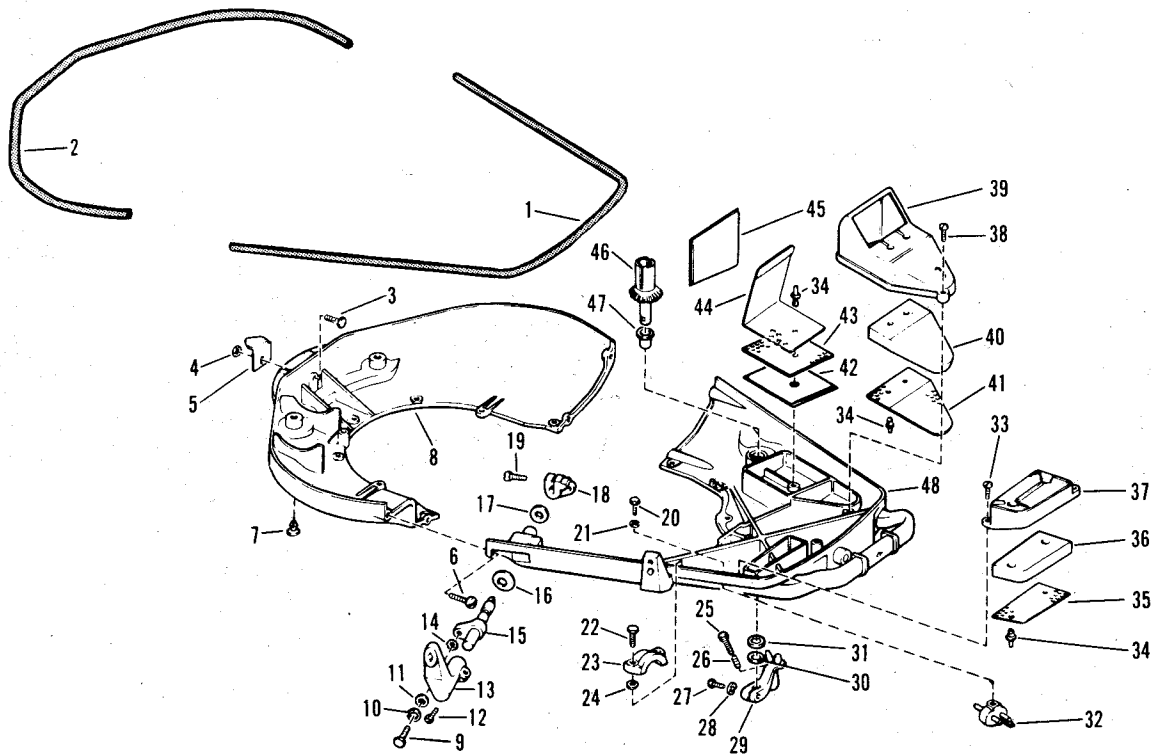


| REF. NO. | PART NO. | NAME OF PART                      | QTY. PER ASSY. | REF. NO. | PART NO. | NAME OF PART                                    | QTY. PER ASSY. |
|----------|----------|-----------------------------------|----------------|----------|----------|---|----------------|
| 1        | 278495   | MOTOR COVER ASSEMBLY . .          | 1              | 21       | 204936   | . SCREW, Tilt handle . . . . .                  | 3              |
| 2        | 307920   | . SCREW, Pivot pin retainer .     | 1              | 22       | 205029   | . HANDLE, Tilt . . . . .                        | 1              |
| 3        | 307690   | . RETAINER, Pivot pin . . . . .   | 1              | 23       | 205318   | . EMBLEM, Port & stbd. . . . .                  | 2              |
| 4        | 204878   | . PIN, Slide pivot . . . . .      | 1              | 24       | 307907   | . SCREW, Spring to cover . . . .                | 1              |
| 5        | 204916   | . SLIDE, Front door . . . . .     | 2              | 25       | 307908   | . SPRING, Cover to link, lower                  | 1              |
| 6        | 278558   | . FRONT DOOR ASSY. . . . .        | 1              | 26       | 204904   | . SCREW, Cover fastener . . . .                 | 10             |
| 7        | 204906   | . . SEAL, Door . . . . .          | 1              | 27       | 204903   | . FASTENER, Cover . . . . .                     | 10             |
| 8        | 205300   | . . PANEL, Front door . . . . .   | 1              | 28       | 204908   | . SEAL, Cover, upper to lower                   | 1              |
| 9        | 305685   | . . SCREW, Latch to door . . . .  | 2              | 29       | 307925   | . PAD, Cover, lower . . . . .                   | 1              |
| 10       | 377660   | . . LATCH, Roller . . . . .       | 2              | 30       | 205305   | . PANEL, Front, lower . . . . .                 | 1              |
| 11       | 205297   | . . PLATE, Front door . . . . .   | 1              | 31       | 303311   | . SCREW, Hook . . . . .                         | 1              |
| 12       | 204476   | . . FASTENER, Plate . . . . .     | 3              | 32       | 378322   | . LINK & HOOK, Front latch . .                  | 1              |
| 13       | 204294   | . SPRING, Hinge pin . . . . .     | 2              | 33       | 308293   | . HANDLE, Front latch . . . . .                 | 1              |
| 14       | 204292   | . PIN, Hinge . . . . .            | 2              | 34       | 553769   | . BUSHING, Cover latch . . . . .                | 1              |
| 15       | 204293   | . WASHER, Hinge pin . . . . .     | 2              | 35       | 204836   | . COVER, Motor, lower half . .                  | 1              |
| 16       | 278413   | . DOOR FRAME ASSY. . . . .        | 1              | *        | 278557   | DECAL SET . . . . .                             | 1              |
| 17       | 204510   | . . FASTENER, Door frame . . . .  | 10             | *        | 205281   | OWNER'S MANUAL,<br>Models 60452-60453 . . . . . | 1              |
| 18       | 204461   | . . SCREW, Frame to cover . . . . | 10             | *        | 205415   | OWNER'S MANUAL,<br>Models 60432-60433 . . . . . | 1              |
| 19       | 204476   | . FASTENER, Applique . . . . .    | 2              |          |          |   |                |
| 20       | 205296   | . APPLIQUE, Rear . . . . .        | 1              |          |          |   |                |

\* Not shown

INDENTED PART NAMES INDICATE THAT THESE PARTS ARE INCLUDED IN PRECEDING ASSEMBLY

**ORDER ALL PARTS FROM YOUR LOCAL AUTHORIZED DEALER**

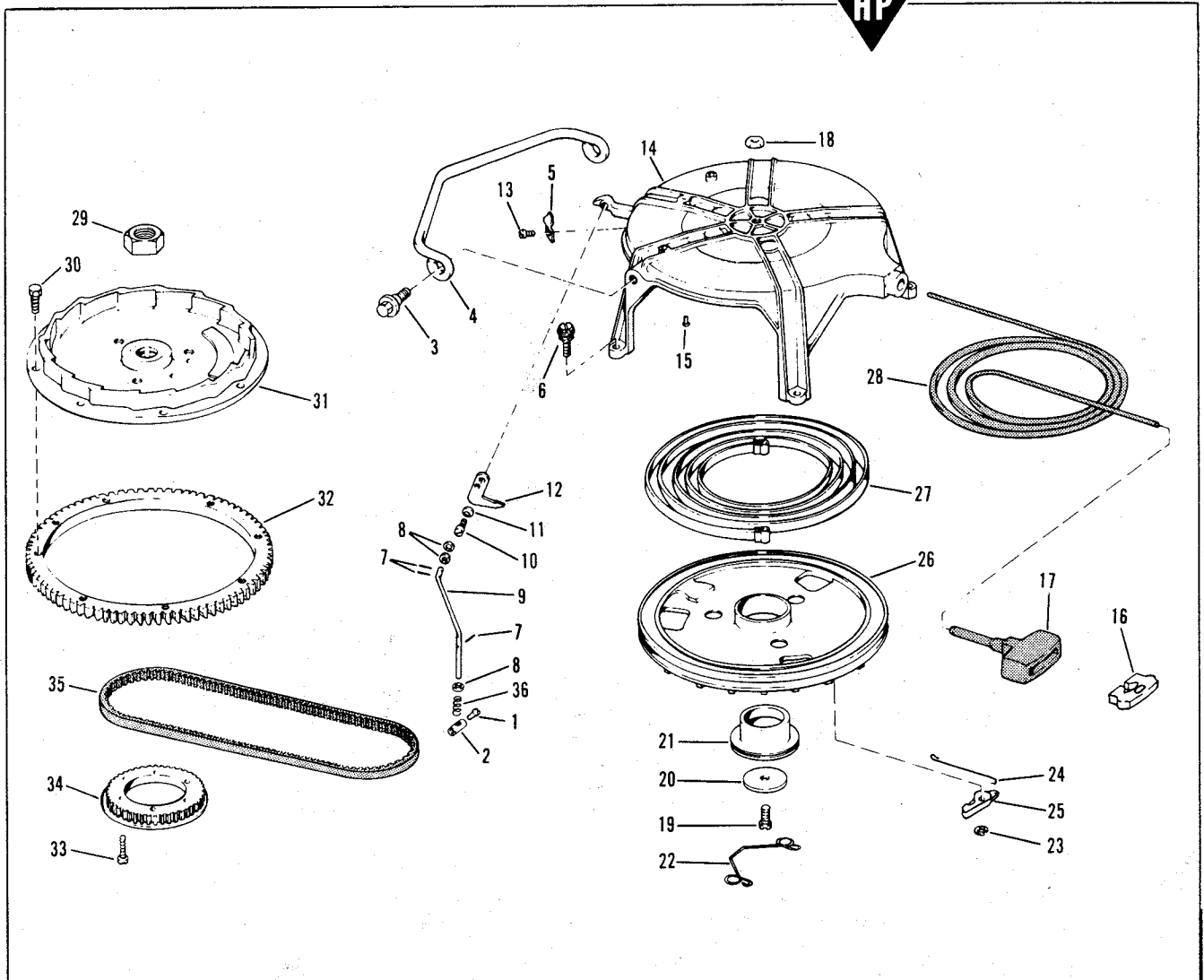


| REF. NO. | PART NO. | NAME OF PART                             | QTY. PER ASSY. | REF. NO. | PART NO. | NAME OF PART                             | QTY. PER ASSY. |
|----------|----------|--|----------------|----------|----------|--|----------------|
| 1        | 205398   | SEAL, Lower front cover . . . .          | 1              | 26       | 552368   | SPRING, Idle stop screw . . . . .        | 1              |
| 2        | 205399   | SEAL, Lower rear cover . . . .           | 1              | 27       | 300258   | SCREW, Throttle lever . . . . .          | 1              |
| 3        | 307113   | SCREW, Hook to cover . . . . .           | 1              | 28       | 303887   | WASHER, Throttle lever screw . . . . .   | 1              |
| 4        | 203688   | NUT, Hook screw . . . . .                | 1              | 29       | 307440   | LEVER, Throttle control . . . . .        | 1              |
| 5        | 307848   | HOOK, Lower motor cover, rear . . . . .  | 1              | 30       | 303913   | WASHER, Throttle control lever . . . . . | 1              |
| 6        | 305745   | SCREW, Front to rear cover . . . . .     | 4              | 31       | 305487   | SEAL, Throttle gear . . . . .            | 1              |
| 7        | 205003   | PLUG, Lower motor cover, rear . . . . .  | 2              | 32       | 376154   | FUEL CONNECTOR . . . . .                 | 1              |
| 8        | 307738   | MOTOR COVER, Lower, rear . . . . .       | 1              | 33       | 304607   | SCREW, Silencer cover . . . . .          | 2              |
| 9        | 300646   | SCREW, Shift handle adjustment . . . . . | 1              | 34       | 307897   | FASTENER, Silencer . . . . .             | 5              |
| 10       | 307555   | LOCKWASHER, Adj. screw . . . . .         | 1              | 35       | 307887   | PLATE, Silencer pad . . . . .            | 1              |
| 11       | 306407   | WASHER, Adjustment screw . . . . .       | 1              | 36       | 307886   | PAD, Silencer . . . . .                  | 1              |
| 12       | 300258   | SCREW, Shift handle to shaft . . . . .   | 1              | 37       | 308345   | COVER, Silencer . . . . .                | 1              |
| 13       | 204802   | HANDLE, Gearshift . . . . .              | 1              | 38       | 303288   | SCREW, Silencer cover . . . . .          | 2              |
| 14       | 306488   | LOCKWASHER, Handle to arm . . . . .      | 1              | 39       | 307892   | COVER, Silencer . . . . .                | 1              |
| 15       | 377214   | SHAFT & ARM, Handle . . . . .            | 1              | 40       | 307894   | PAD, Silencer . . . . .                  | 1              |
| 16       | 306012   | WASHER, Bow, Shaft to cover . . . . .    | 1              | 41       | 307896   | PLATE, Silencer pad . . . . .            | 1              |
| 17       | 303775   | WASHER, Lever to cover . . . . .         | 1              | 42       | 307991   | PAD, Silencer . . . . .                  | 1              |
| 18       | 377728   | LEVER ASSY., Link to shaft . . . . .     | 1              | 43       | 307992   | PLATE, Silencer pad . . . . .            | 1              |
| 19       | 307027   | SCREW, Lever to shaft . . . . .          | 1              | 44       | 307893   | PLATE, Silencer pad . . . . .            | 1              |
| 20       | 306419   | SCREW, Fuel connector . . . . .          | 1              | 45       | 307895   | PAD, Silencer . . . . .                  | 1              |
| 21       | 306488   | LOCKWASHER, Fuel connector . . . . .     | 1              | 46       | 305607   | GEAR, Throttle control . . . . .         | 1              |
| 22       | 307470   | SCREW, Cable clamp . . . . .             | 2              | 47       | 305378   | BUSHING, Control gear . . . . .          | 1              |
| 23       | 307767   | CLAMP, Cable entrance . . . . .          | 1              | 48       | 379662   | MOTOR COVER, Lower front . . . . .       | 1              |
| 24       | 202929   | LOCKWASHER, Cable clamp . . . . .        | 1              | *        | 378931   | ACCESSORY KIT, Carrying handle . . . . . | 1              |
| 25       | 304573   | SCREW, Idle stop . . . . .               | 1              |          |          |  |                |

\*Not shown

INDENTED PART NAMES INDICATE THAT THESE PARTS ARE INCLUDED IN PRECEDING ASSEMBLY

**SPECIFY MODEL AND SERIAL NUMBER OF MOTOR WHEN ORDERING PARTS**

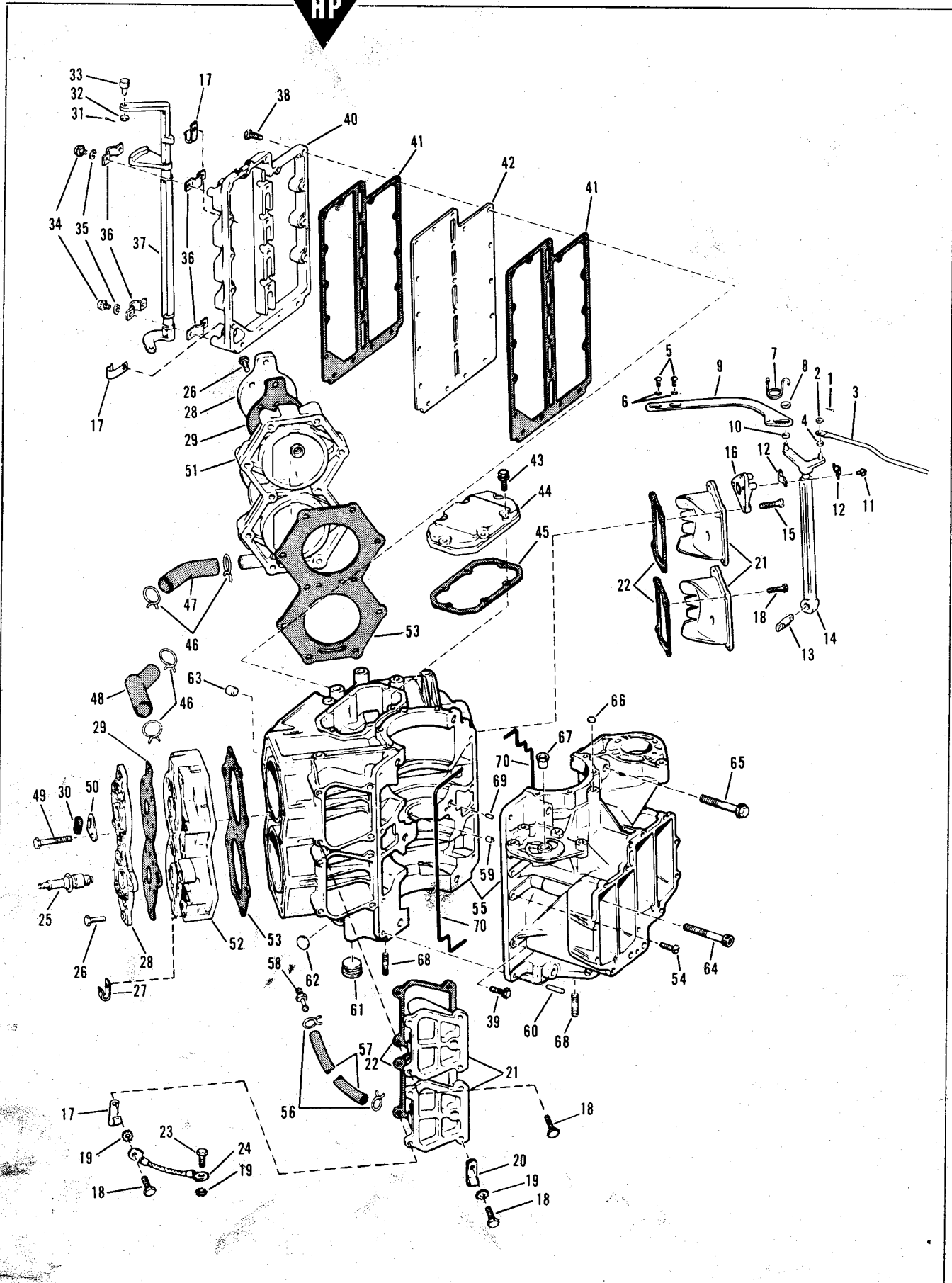


| REF. NO. | PART NO. | NAME OF PART                                | QTY. PER ASSY. | REF. NO. | PART NO. | NAME OF PART                          | QTY. PER ASSY. |
|----------|----------|---|----------------|----------|----------|---------------------------------------|----------------|
| 1        | 304221   | SCREW, Rod collar . . . . .                 | 1              | 18       | 302103   | . NUT, Spindle screw . . . . .        | 1              |
| 2        | 304222   | COLLAR, Throttle control rod . . . . .      | 1              | 19       | 306284   | . SCREW, Starter spindle . . . . .    | 1              |
| 3        | 305619   | SCREW, Bail . . . . .                       | 2              | 20       | 305129   | . WASHER, Spindle . . . . .           | 1              |
| 4        | 305479   | BAIL, Starter housing . . . . .             | 1              | 21       | 305131   | . SPINDLE, Starter . . . . .          | 1              |
| 5        | 305480   | SPRING, Bail . . . . .                      | 1              | 22       | 305130   | . SPRING, Friction, spindle . . . . . | 1              |
| 6        | 308082   | SCREW, Starter mounting . . . . .           | 5              | 23       | 203470   | . RING, Retaining, pawl . . . . .     | 1              |
| *        | 377480   | STARTER HOUSING ASSY. . . . .               | 1              | 24       | 305120   | . LINK, Spring to pawl . . . . .      | 2              |
| 7        | 307565   | . PIN, Locking lever rod . . . . .          | 3              | 25       | 203698   | . PAWL, Starter . . . . .             | 1              |
| 8        | 307557   | . WASHER, Locking lever rod . . . . .       | 3              | 26       | 377089   | . PULLEY, Starter . . . . .           | 1              |
| 9        | 305481   | . ROD, Locking lever . . . . .              | 1              | 27       | 375836   | . SPRING, Starter . . . . .           | 1              |
| 10       | 303247   | . SCREW, Locking lever . . . . .            | 1              | 28       | 204085   | . ROPE, (Cut to 69-3/4") . . . . .    | 1              |
| 11       | 302473   | . WASHER, Bow, lever . . . . .              | 1              | 29       | 305134   | NUT, Flywheel . . . . .               | 1              |
| 12       | 305482   | . LEVER, Locking, starter . . . . .         | 1              | *        | 580244   | FLYWHEEL ASSEMBLY . . . . .           | 1              |
| 13       | 306479   | . SCREW, Bail spring . . . . .              | 1              | 30       | 303698   | . SCREW, Ring gear . . . . .          | 8              |
| 14       | 377479   | . STARTER HOUSING & GUIDE PIN ASSY. . . . . | 1              | 31       | 580241   | . FLYWHEEL . . . . .                  | 1              |
| 15       | 304500   | . . PIN, Guide . . . . .                    | 2              | 32       | 305114   | . GEAR, Ring . . . . .                | 1              |
| 16       | 304325   | . ANCHOR, Rope, handle . . . . .            | 1              | 33       | 304606   | . SCREW, Drive pulley . . . . .       | 3              |
| 17       | 305311   | . HANDLE, Starter rope . . . . .            | 1              | 34       | 510374   | . PULLEY, Drive, magneto . . . . .    | 1              |
|          |          |   |                | 35       | 305446   | BELT, Drive, magneto . . . . .        | 1              |
|          |          |   |                | 36       | 305484   | SPRING, Locking lever rod . . . . .   | 1              |

\*Not shown

INDENTED PART NAMES INDICATE THAT THESE PARTS ARE INCLUDED IN PRECEDING ASSEMBLY

**ORDER ALL PARTS FROM YOUR LOCAL AUTHORIZED DEALER**



INDENTED PART NAMES INDICATE THAT THESE PARTS ARE INCLUDED IN PRECEDING ASSEMBLY  
**SPECIFY MODEL AND SERIAL NUMBER OF MOTOR WHEN ORDERING PARTS**

| REF. NO. | PART NO. | NAME OF PART                               | QTY. PER ASSY. | REF. NO. | PART NO. | NAME OF PART   | QTY. PER ASSY. |
|----------|----------|--|----------------|----------|----------|--|----------------|
| 1        | 306370   | PIN, Cotter, rod to shaft . . . .          | 1              | 36       | 305602   | CLAMP, Shift lock lever . . . .                      | 4              |
| 2        | 300154   | WASHER, Control rod . . . . .              | 1              | 37       | 307356   | LEVER, Shift lock . . . . .                          | 1              |
| 3        | 305606   | ROD, Throttle control . . . . .            | 1              | 38       | 306049   | SCREW, Exhaust cover . . . . .                       | 20             |
| 4        | 304380   | WASHER, Bow, rod to shaft . .              | 1              | 39       | 307342   | SCREW, Starboard, lower . . .                        | 1              |
| 5        | 306014   | SCREW, Magneto link . . . . .              | 2              | 40       | 305747   | COVER, Exhaust, outer . . . . .                      | 1              |
| 6        | 306015   | WASHER, Link screw . . . . .               | 2              | 41       | 305176   | GASKET, Exhaust cover . . . . .                      | 2              |
| 7        | 307354   | SPRING, Control shaft link . . .           | 1              | 42       | 305746   | COVER, Exhaust, inner . . . . .                      | 1              |
| 8        | 305831   | WASHER, Link . . . . .                     | 1              | 43       | 308742   | SCREW, Water passage cover . .                       | 6              |
| 9        | 307775   | LINK, Control shaft to magneto             | 1              | 44       | 307757   | COVER, Water passage . . . . .                       | 1              |
| 10       | 307841   | SLEEVE, Anchor pin . . . . .               | 1              | 45       | 305435   | GASKET, Water pass. cover . .                        | 1              |
| 11       | 302948   | SCREW, Control shaft clamp . .             | 2              | 46       | 305646   | CLAMP, Hose . . . . .                                | 4              |
| 12       | 305609   | CLAMP, Control shaft . . . . .             | 2              | 47       | 305644   | HOSE, Thermostat, port . . . .                       | 1              |
| 13       | 304155   | PIN, Control shaft to gear . . .           | 1              | 48       | 305645   | HOSE, Thermostat, stbd. . . .                        | 1              |
| 14       | 377989   | SHAFT, Throttle & timing control . . . . . | 1              | 49       | 305027   | SCREW, Cylinder head . . . . .                       | 20             |
| 15       | 308077   | SCREW, Control shaft bracket               | 2              | 50       | 304763   | ANCHOR, Ignition lead . . . . .                      | 2              |
| 16       | 307357   | BRACKET, Control shaft . . . .             | 1              | 51       | 553758   | CYLINDER HEAD, Port . . . . .                        | 1              |
| 17       | 310493   | CLAMP, Cable . . . . .                     | 3              | 52       | 553759   | CYLINDER HEAD, Stbd. . . . .                         | 1              |
| 18       | 308742   | SCREW, By-pass cover . . . . .             | 14             | 53       | 553753   | GASKET, Cylinder head . . . . .                      | 2              |
| 19       | 303480   | LOCKWASHER . . . . .                       | 3              | 54       | 300646   | SCREW, Crankcase to cyl. . .                         | 7              |
| 20       | 310440   | CLAMP, Hose . . . . .                      | 1              | 55       | 379394   | CYL. & CRANKCASE ASSY. . .                           | 1              |
| 21       | 305059   | COVER, By-pass . . . . .                   | 4              | 56       | 552199   | . CLAMP, Hose . . . . .                              | 2              |
| 22       | 305169   | GASKET, By-pass cover . . . . .            | 4              | 57       | 307402   | . HOSE, Cylinder to crankcase                        | 1              |
| 23       | 305284   | SCREW, Ground lead . . . . .               | 1              | 58       | 303492   | . NIPPLE, Cylinder . . . . .                         | 1              |
| 24       | 376349   | LEAD, Ground . . . . .                     | 1              | 59       | 304178   | . DOWEL, Bearing . . . . .                           | 1              |
| †25      | 378101   | SPARK PLUG, Champion J4J . . .             | 4              | 60       | 305070   | . PIN, Taper . . . . .                               | 2              |
| †25      | 378368   | SPARK PLUG, Auto-Lite A21X . .             | 4              | 61       | 305124   | . PLUG, Water passage . . . . .                      | 1              |
| †25      | 378320   | SPARK PLUG, AC M42K . . . . .              | 4              | 62       | 306392   | . PLUG, Core . . . . .                               | 1              |
| 26       | 308742   | SCREW, Cylinder head cover . .             | 32             | 63       | 306044   | . PLUG, Cylinder . . . . .                           | 2              |
| 27       | 310620   | CLAMP, Cable . . . . .                     | 1              | 64       | 305069   | . SCREW, Center . . . . .                            | 2              |
| 28       | 307710   | COVER, Cylinder head . . . . .             | 2              | 65       | 308752   | . SCREW, Crankcase to cyl. . .                       | 4              |
| 29       | 307257   | GASKET, Cylinder head cover . .            | 2              | 66       | 306442   | . PLUG, Core . . . . .                               | 1              |
| 30       | 300454   | GROMMET, Ignition lead . . . .             | 2              | 67       | 305068   | . BUSHING, Starter drive . . .                       | 1              |
| 31       | 303049   | PIN, Cotter, pivot pin . . . . .           | 1              | 68       | 304517   | . STUD, Cyl. to lower unit . .                       | 6              |
| 32       | 552783   | WASHER, Pivot pin . . . . .                | 1              | 69       | 305121   | . PLUG, Cylinder . . . . .                           | 1              |
| 33       | 304226   | PIN, Pivot, Shift lock lever . .           | 1              | 70       | **       | SEAL, Cylinder to crankcase .                        | 2              |
| 34       | 132823   | SCREW, Lever clamp . . . . .               | 4              | *        | 379976   | GASKET SET, Power head, less cylinder head gaskets . | 1              |
| 35       | 302376   | LOCKWASHER . . . . .                       | 4              |          |          |  |                |

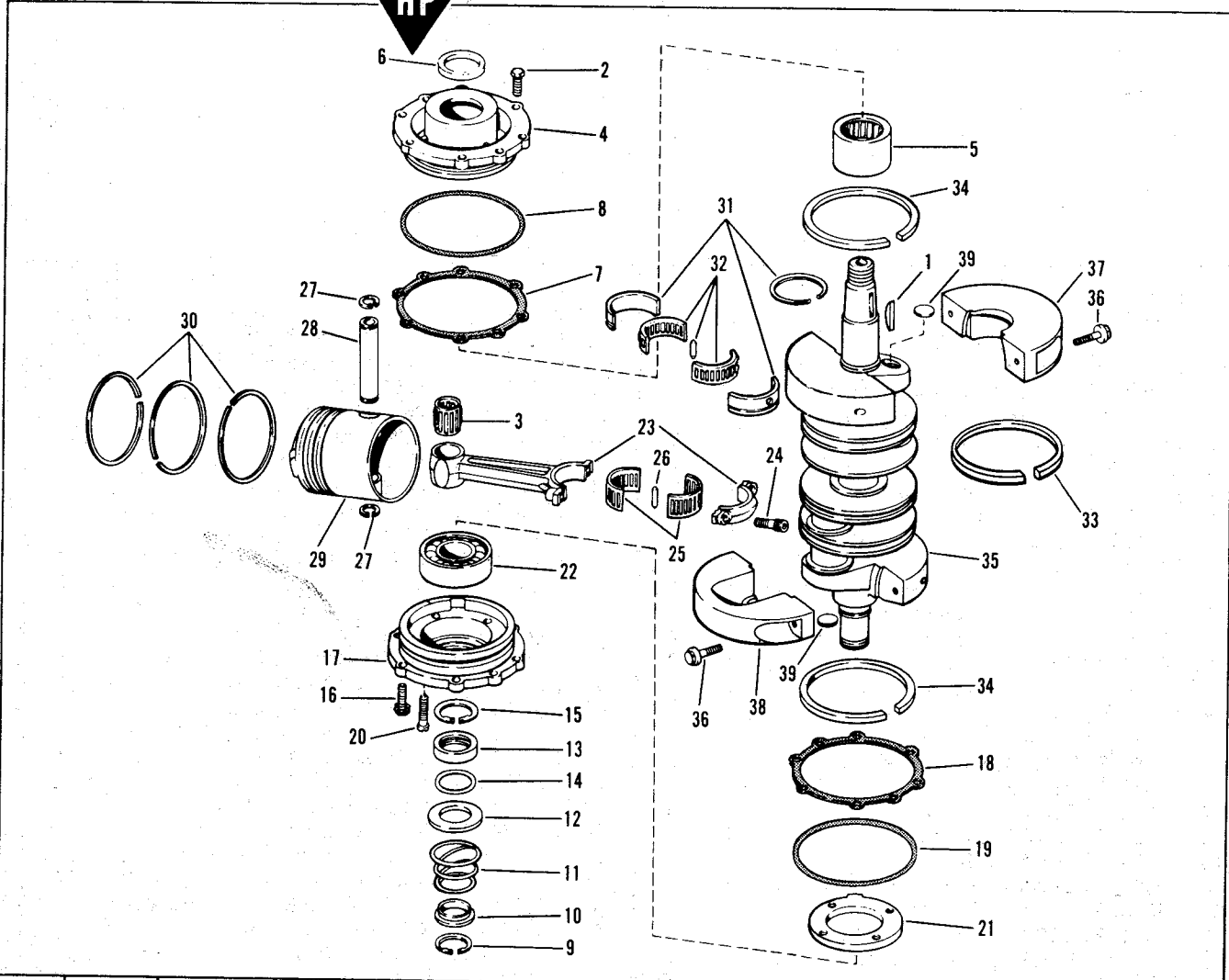
\*\*Cut from 309044 - 50' roll; cutting length 14-1/4".

†We recommend Champion, Auto-Lite or AC spark plugs.

\*Not shown

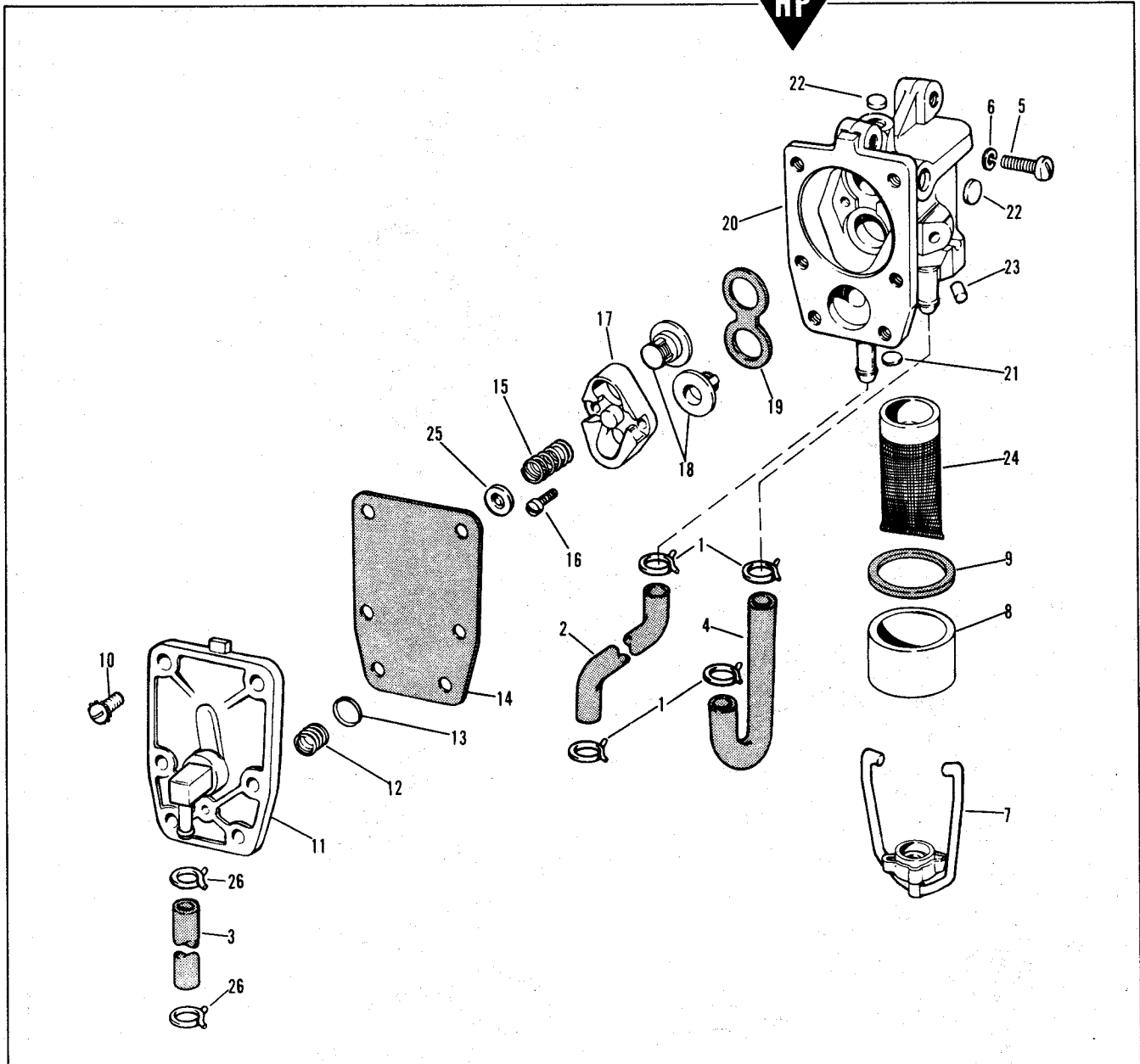
INDENTED PART NAMES INDICATE THAT THESE PARTS ARE INCLUDED IN PRECEDING ASSEMBLY

**ORDER ALL PARTS FROM YOUR LOCAL AUTHORIZED DEALER**



| REF. NO. | PART NO. | NAME OF PART                     | QTY. PER ASSY. | REF. NO. | PART NO. | NAME OF PART                     | QTY. PER ASSY. |
|----------|----------|----------------------------------|----------------|----------|----------|----------------------------------|----------------|
| 1        | 302602   | KEY, Flywheel to crankshaft .    | 1              | 23       | 378260   | CONNECTING ROD ASSY. . . . .     | 4              |
| 2        | 308111   | SCREW, Upper crankcase head      | 8              | 24       | 308186   | . SCREW, Rod cap . . . . .       | 2              |
| 3        | 378251   | BEARING, Needle, wrist pin . .   | 4              | 25       | 378528   | RETAINER, Needle, rod . . . . .  | 4              |
| 4        | 377662   | HEAD ASSY., Crankcase, upper     | 1              | 26       | 378515   | NEEDLE BEARING SET . . . . .     | 4              |
| 5        | 377661   | . BEARING, Roller, upper . . . . | 1              | 27       | 302577   | RING, Retaining, wrist pin . .   | 8              |
| 6        | 305110   | . SEAL, Upper . . . . .          | 1              | 28       | 553742   | PIN, Wrist . . . . .             | 4              |
| 7        | 305173   | GASKET, Crankcase head . . . .   | 1              | 29       | 593183   | PISTON, Standard . . . . .       | 4              |
| 8        | 305123   | "O" RING, Crankcase head . . . . | 1              | 29       | 593400   | PISTON, .020 O.S. . . . .        | 4              |
| 9        | 305133   | RING, Retaining, crankshaft . .  | 1              | 29       | 593401   | PISTON, .040 O.S. . . . .        | 4              |
| 10       | 305125   | WASHER, Spring, outer . . . . .  | 1              | 30       | 593428   | PISTON RING SET, Standard . .    | 4              |
| 11       | 305140   | SPRING, Lower seal . . . . .     | 1              | 30       | 593429   | PISTON RING SET, .020 O.S. . .   | 4              |
| 12       | 305127   | WASHER, Seal, inner . . . . .    | 1              | 30       | 593430   | PISTON RING SET, .040 O.S. . .   | 4              |
| 13       | 305119   | SEAL, Lower bearing . . . . .    | 1              | 31       | 310433   | SLEEVE, Split, center bearing    | 1              |
| 14       | 305126   | "O" RING, Lower seal . . . . .   | 1              | 32       | 378252   | RETAINER & NEEDLES.              |                |
| 15       | 305132   | RING, Retaining, bearing . . . . | 1              |          |          | Center bearing . . . . .         | 1              |
| 16       | 309924   | SCREW, Lower c'case head . .     | 8              | 33       | 310041   | RING, Crankshaft seal . . . . .  | 1              |
| 17       | 377962   | HEAD, Crankcase, lower . . . . . | 1              | 34       | 378427   | SEAL RING SET, Crankcase . .     | 1              |
| 18       | 305172   | GASKET, Crankcase head . . . .   | 1              | 35       | 593276   | CRANKSHAFT ASSEMBLY . .          | 1              |
| 19       | 305123   | "O" RING, Crankcase head . . . . | 1              | 36       | 308121   | . SCREW, Filler block . . . . .  | 4              |
| 20       | 307512   | SCREW, Lower bearing plate . .   | 4              | 37       | 554238   | . BLOCK, Filler upper . . . . .  | 1              |
| 21       | 305106   | PLATE, Retainer, lower brg. . .  | 1              | 38       | 554239   | . BLOCK, Filler, lower . . . . . | 1              |
| 22       | 377139   | BALL BEARING, Crankshaft . . .   | 1              | 39       | 305139   | . PLUG, Crankshaft . . . . .     | 2              |

INDENTED PART NAMES INDICATE THAT THESE PARTS ARE INCLUDED IN PRECEDING ASSEMBLY  
**SPECIFY MODEL AND SERIAL NUMBER OF MOTOR WHEN ORDERING PARTS**

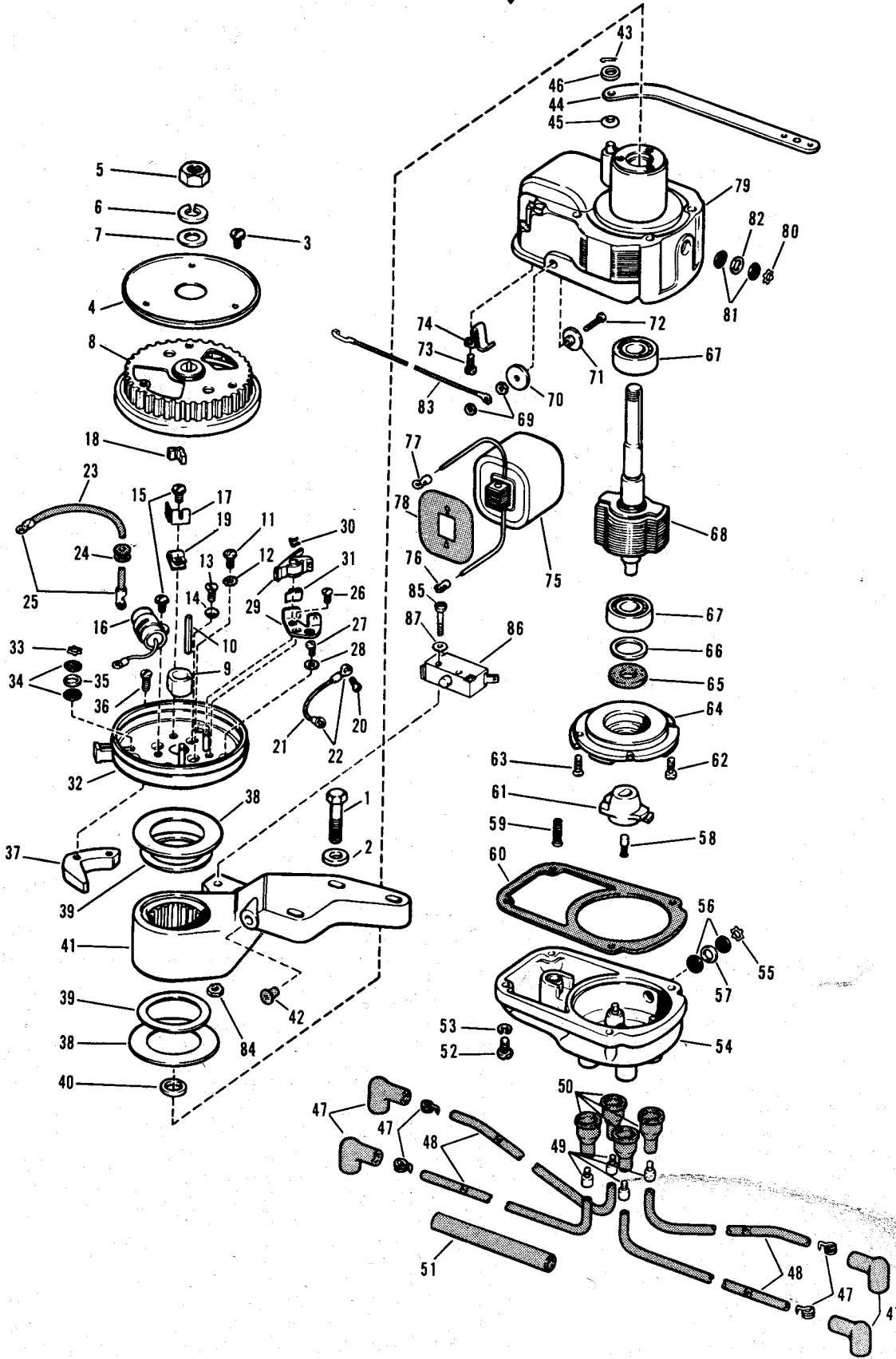


| REF. NO. | PART NO. | NAME OF PART                    | QTY. PER ASSY. | REF. NO. | PART NO. | NAME OF PART                                | QTY. PER ASSY. |
|----------|----------|---------------------------------|----------------|----------|----------|---|----------------|
| 1        | 552199   | CLAMP, Fuel hose, large . . .   | 4              | 14       | 305186   | DIAPHRAGM . . . . .                         | 1              |
| 2        | 305700   | HOSE, Pump to carburetor . . .  | 1              | 15       | 310490   | SPRING, Diaphragm . . . . .                 | 1              |
| 3        | 310370   | HOSE, Pump to crankcase . . .   | 1              | 16       | 306552   | SCREW, Valve retainer . . . . .             | 2              |
| 4        | 307959   | HOSE, Fuel pump to conn. . . .  | 1              | 17       | 305087   | RETAINER, Valve . . . . .                   | 1              |
| 5        | 307153   | SCREW, Pump to manifold . . . . | 3              | 18       | 377143   | VALVE, Fuel pump . . . . .                  | 2              |
| 6        | 302376   | LOCKWASHER, Pump screw . . . .  | 3              | 19       | 305184   | GASKET, Valve . . . . .                     | 1              |
| *        | 379480   | FUEL PUMP ASSEMBLY . . . . .    | 1              | 20       | 377487   | FUEL PUMP BODY &<br>PLUG ASSEMBLY . . . . . | 1              |
| 7        | 377600   | THUMB NUT & YOKE . . . . .      | 1              | 21       | 306442   | PLUG, Core, drain . . . . .                 | 1              |
| 8        | 303967   | BOWL, Filter . . . . .          | 1              | 22       | 303405   | PLUG, Core . . . . .                        | 3              |
| 9        | 302675   | GASKET, Filter bowl . . . . .   | 1              | 23       | 304105   | PLUG . . . . .                              | 1              |
| 10       | 307175   | SCREW, Cover to body . . . . .  | 6              | 24       | 305185   | FILTER, Fuel . . . . .                      | 1              |
| 11       | 379478   | COVER, Fuel pump . . . . .      | 1              | 25       | 309944   | SUPPORT, Diaphragm . . . . .                | 1              |
| 12       | 305183   | SPRING, Air dome . . . . .      | 1              | 26       | 309523   | CLAMP, Fuel hose, small . . . .             | 2              |
| 13       | 304094   | SUPPORT, Diaphragm . . . . .    | 1              |          |          |   |                |

\*Not shown

INDENTED PART NAMES INDICATE THAT THESE PARTS ARE INCLUDED IN PRECEDING ASSEMBLY

**ORDER ALL PARTS FROM YOUR LOCAL AUTHORIZED DEALER**



INDENTED PART NAMES INDICATE THAT THESE PARTS ARE INCLUDED IN PRECEDING ASSEMBLY  
**SPECIFY MODEL AND SERIAL NUMBER OF MOTOR WHEN ORDERING PARTS**



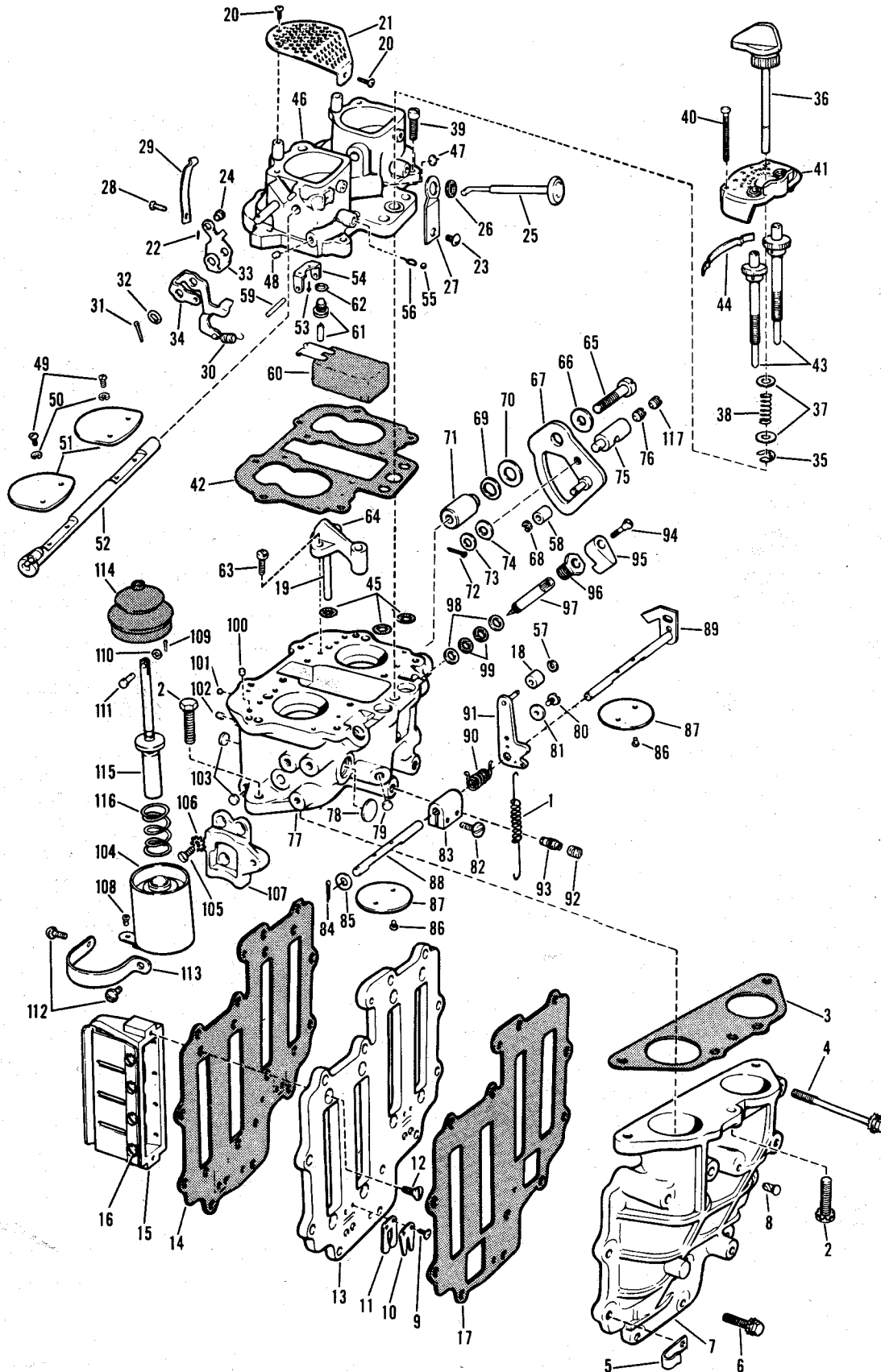
| REF. NO. | PART NO. | NAME OF PART                               | QTY. PER ASSY. | REF. NO. | PART NO. | NAME OF PART                  | QTY. PER ASSY. |
|----------|----------|--|----------------|----------|----------|-------------------------------|----------------|
| 1        | 304055   | SCREW, Brkt. to cylinder . .               | 3              | 44       | 510413   | . LINK, Shaft to magneto . .  | 1              |
| 2        | 305486   | WASHER, Bracket screw . . .                | 3              | 45       | 510412   | . WASHER, Bow, link . . . .   | 1              |
| *        | 580477   | MAGNETO ASSEMBLY . . . . .                 | 1              | 46       | 306358   | . WASHER, Magneto anchor      | 1              |
| 3        | 510328   | . SCREW, Cover to pulley . .               | 3              | *        | 580263   | . SPARK PLUG LEAD ASSY.       | 4              |
| 4        | 510324   | . COVER, Pulley . . . . .                  | 1              | 47       | 580339   | . . TERMINAL & COVER .        | 1              |
| 5        | 130541   | . NUT, Distributor shaft . . .             | 1              | 48       | 510389   | . . LEAD, Spark plug . . . .  | 1              |
| 6        | 303293   | . LOCKWASHER, Shaft nut . .                | 1              | 49       | 510364   | . . TERMINAL, Lead . . . .    | 1              |
| 7        | 303306   | . WASHER, Dist. shaft . . . .              | 1              | 50       | 510332   | . . NIPPLE, Cap to lead . .   | 1              |
| 8        | 510408   | . PULLEY, Magneto . . . . .                | 1              | 51       | 510341   | . SLEEVE, Spark plug lead .   | 1              |
| 9        | 510336   | . CAM, Magneto . . . . .                   | 1              | 52       | 510357   | . SCREW, Cap to housing . .   | 4              |
| 10       | 510326   | . KEY, Shaft . . . . .                     | 1              | 53       | 120052   | . LOCKWASHER, Cap screw       | 4              |
| 11       | 510338   | . SCREW, Plate to housing . .              | 2              | 54       | 580292   | . DISTRIBUTOR CAP ASSY.       | 1              |
| 12       | 303916   | . LOCKWASHER, Plate screw                  | 2              | 55       | 510411   | . . RETAINER, Screen . . .    | 3              |
| 13       | 304852   | . SCREW, Plate to housing . .              | 1              | 56       | 510355   | . . SCREEN, Filter . . . . .  | 6              |
| 14       | 551163   | . LOCKWASHER, Plate screw                  | 1              | 57       | 510375   | . . SPACER, Filter screen     | 3              |
| *        | 580319   | . BREAKER PLATE ASSY. . . .                | 1              | 58       | 510291   | . . BRUSH & SPRING . . . .    | 1              |
| 15       | 510328   | . . SCREW, Condenser & clip                | 2              | 59       | 510331   | . SPRING, Bar to coil . . . . | 1              |
| 16       | 580256   | . . CONDENSER . . . . .                    | 1              | 60       | 510334   | . GASKET, Magneto . . . . .   | 1              |
| 17       | 510376   | . . CLIP, Oiler . . . . .                  | 1              | 61       | 580260   | . ROTOR, Distributor . . . .  | 1              |
| 18       | 510377   | . . WICK, Oiler . . . . .                  | 1              | 62       | 510338   | . SCREW, Bearing support .    | 2              |
| 19       | 510267   | . . BRACKET, Lead . . . . .                | 1              | 63       | 304852   | . SCREW, Bearing support .    | 2              |
| 20       | 510194   | . . SCREW, Leads . . . . .                 | 2              | 64       | 510337   | . SUPPORT, Bearing . . . . .  | 1              |
| 21       | 580279   | . . LEAD ASSY., Breaker base               | 1              | 65       | 510380   | . WASHER, Bearing, felt . .   | 1              |
| 22       | 71A1063  | . . . TERMINAL, Ring . . . .               | 2              | 66       | 510382   | . WASHER, Bearing . . . . .   | 1              |
| 23       | 580267   | . . LEAD ASSY., Breaker to<br>hsg. . . . . | 1              | 67       | 580258   | . BEARING, Shaft to housing   | 2              |
| 24       | 303364   | . . . GROMMET, Lead to base                | 1              | 68       | 580261   | . SHAFT & LAMINATION . .      | 1              |
| 25       | 71A1063  | . . . TERMINAL, Ring . . . .               | 2              | 69       | 306510   | . NUT, Lead screw . . . . .   | 2              |
| 26       | 510278   | . . SCREW, Breaker base . .                | 2              | 70       | 510398   | . BUSHING, Insulating, outer  | 1              |
| 27       | 510185   | . . SCREW, Eccentric . . . . .             | 2              | 71       | 510399   | . BUSHING, Insulating, inner  | 1              |
| 28       | 510391   | . . WASHER, Bow . . . . .                  | 2              | 72       | 510343   | . SCREW, Leads to housing     | 1              |
| 29       | 580290   | . . BREAKER ASSY. . . . .                  | 2              | 73       | 306417   | . SCREW, Retainer spring .    | 2              |
| 30       | 307594   | . . . CLIP, Post . . . . .                 | 1              | 74       | 510325   | . SPRING, Coil retainer . . . | 2              |
| 31       | 510204   | . . . CLIP, Spring . . . . .               | 1              | 75       | 580243   | . COIL ASSEMBLY . . . . .     | 1              |
| 32       | 580318   | . . PLATE ASSY., Breaker . .               | 1              | 76       | 71A1063  | . . TERMINAL, Primary . .     | 1              |
| 33       | 510411   | . . . RETAINER, Screen . .                 | 1              | 77       | 510151   | . . TERMINAL, Ground . . .    | 1              |
| 34       | 510355   | . . . SCREEN, Filter . . . . .             | 2              | 78       | 510538   | . INSULATOR, Coil . . . . .   | 2              |
| 35       | 510375   | . . . SPACER, Screen . . . .               | 1              | 79       | 580288   | . HOUSING & SLEEVE ASSY.      | 1              |
| 36       | 306481   | . SCREW, Stop to plate . . . .             | 2              | 80       | 510411   | . . RETAINER, Screen . . . .  | 1              |
| 37       | 510414   | . STOP, Breaker plate . . . .              | 1              | 81       | 510355   | . . SCREEN, Filter . . . . .  | 2              |
| 38       | 510327   | . WASHER, Bracket . . . . .                | 2              | 82       | 510375   | . . SPACER, Filter screen     | 1              |
| 39       | 510403   | . WASHER, Bearing . . . . .                | 2              | 83       | **       | . SHORTING WIRE ASSY. . .     | 1              |
| 40       | 510323   | . WASHER, Plate to hsg. . . .              | 1              | 84       | 307788   | NUT, Safety switch screw . .  | 2              |
| 41       | 580317   | . BRACKET & BEARING . . . .                | 1              | 85       | 307910   | SCREW, Safety switch . . . .  | 2              |
| 42       | 203290   | . BUMPER, Breaker plate . . .              | 1              | 86       | 378229   | SAFETY SWITCH ASSY. . . .     | 1              |
| 43       | 306463   | . PIN, Cotter, anchor pin . .              | 1              | 87       | 310498   | WASHER, Safety switch . .     | 2              |

\*Not shown

\*\*This wire, furnished with the complete Magneto Assembly, is intended for other models. It is not used with the 1964 60 HP models.

INDENTED PART NAMES INDICATE THAT THESE PARTS ARE INCLUDED IN PRECEDING ASSEMBLY

**ORDER ALL PARTS FROM YOUR LOCAL AUTHORIZED DEALER**



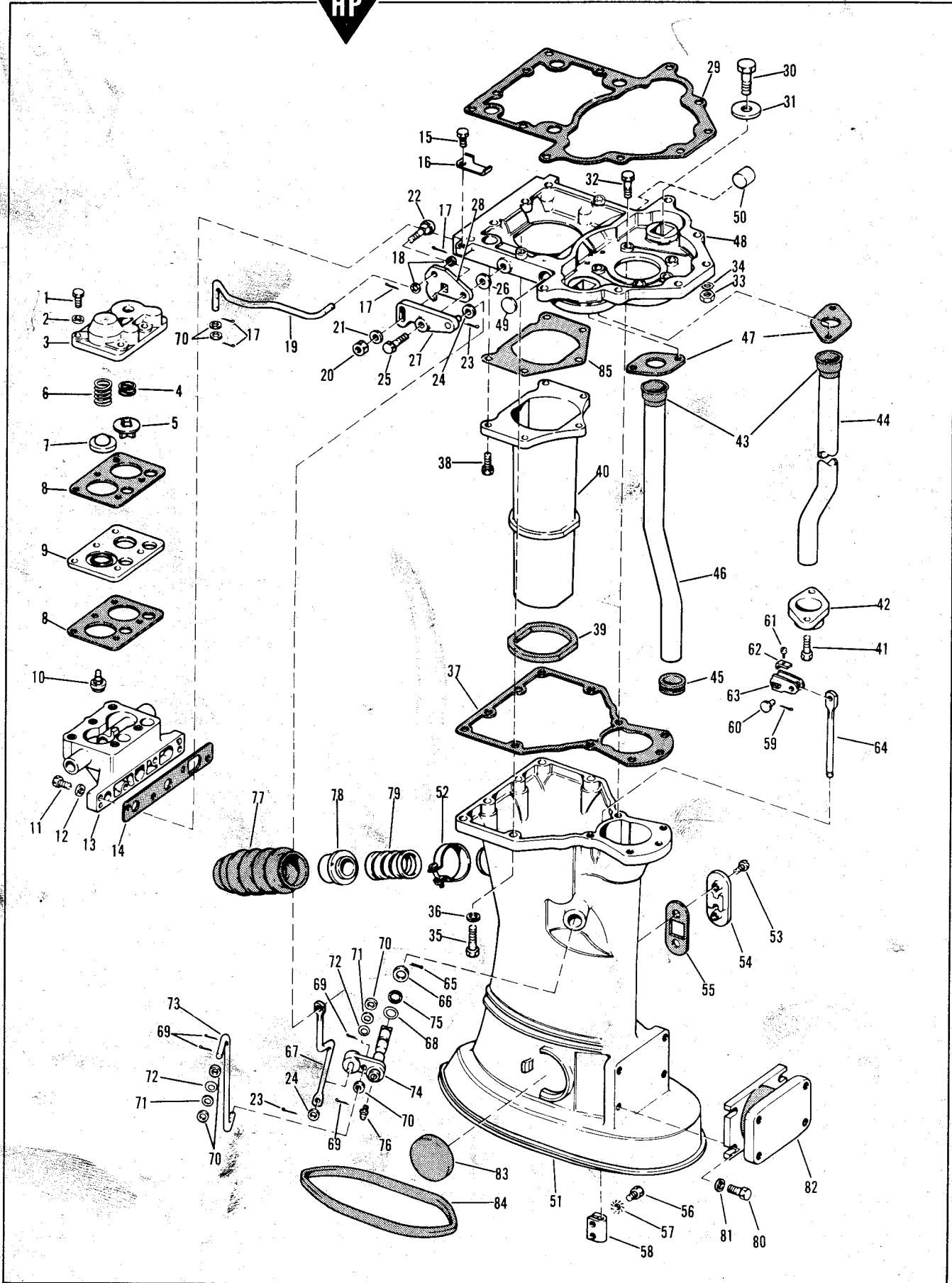
INDENTED PART NAMES INDICATE THAT THESE PARTS ARE INCLUDED IN PRECEDING ASSEMBLY  
SPECIFY MODEL AND SERIAL NUMBER OF MOTOR WHEN ORDERING PARTS

| REF. NO. | PART NO. | NAME OF PART                          | QTY. PER ASSY | REF. NO. | PART NO. | NAME OF PART                          | QTY. PER ASSY. |
|----------|----------|---------------------------------------|---------------|----------|----------|---------------------------------------|----------------|
| 1        | 307408   | SPRING, Cam follower . . . . .        | 1             | 59       | 302661   | PIN, Hinge, float arm . . . . .       | 1              |
| 2        | 307028   | SCREW, Manifold to carb. . . . .      | 3             | 60       | 377164   | FLOAT & FLOAT ARM . . . . .           | 1              |
| 3        | 310337   | GASKET, Manifold to carb. . . . .     | 1             | 61       | 379312   | FLOAT VALVE ASSY. . . . .             | 1              |
| 4        | 305122   | SCREW, Manifold, long . . . . .       | 4             | 62       | 301996   | WASHER, Valve seat . . . . .          | 1              |
| 5        | 309040   | CLAMP, Cable to manifold . . . . .    | 1             | 63       | 306481   | SCREW, Venturi to body . . . . .      | 4              |
| 6        | 307062   | SCREW, Manifold, short . . . . .      | 8             | 64       | 378007   | VENTURI & CORE PLUG . . . . .         | 2              |
| 7        | 377770   | INTAKE MANIFOLD ASSY. . . . .         | 1             | 65       | 306440   | SCREW, Cam . . . . .                  | 1              |
| 8        | 305820   | SCREW, Drive . . . . .                | 1             | 66       | 306407   | WASHER, Cam . . . . .                 | 1              |
| *        | 379124   | LEAF PLATE ASSY. . . . .              | 1             | 67       | 377985   | CAM, Throttle . . . . .               | 1              |
| 9        | 303761   | SCREW, Valve to base . . . . .        | 4             | 68       | 307529   | RING, Retaining, sleeve . . . . .     | 1              |
| 10       | 304655   | PLATE, Drain leaf valve . . . . .     | 2             | 69       | 305234   | WASHER, Bow, cam . . . . .            | 1              |
| 11       | 302031   | VALVE, Leaf, c'case drain . . . . .   | 2             | 70       | 303884   | WASHER, Cam . . . . .                 | 1              |
| 12       | 307609   | SCREW, Base to leaf block . . . . .   | 8             | 71       | 307349   | SPACER, Cam to carb. . . . .          | 1              |
| 13       | 379109   | BASE, Leaf plate . . . . .            | 1             | 72       | 306463   | PIN, Cotter, pivot pin . . . . .      | 1              |
| 14       | 307131   | GASKET, Leaf plate base . . . . .     | 1             | 73       | 306358   | WASHER, Pivot pin . . . . .           | 1              |
| 15       | 379571   | LEAF BLOCK ASSY. . . . .              | 4             | 74       | 305238   | WASHER, Bow, pivot pin . . . . .      | 1              |
| 16       | 307129   | SCREW, Sems, block . . . . .          | 8             | 75       | 307350   | PIN, Pivot, cam . . . . .             | 1              |
| 17       | 305425   | GASKET, Leaf plate base . . . . .     | 1             | 76       | 307352   | SET SCREW, Pivot pin . . . . .        | 1              |
| *        | 379688   | CARBURETOR ASSEMBLY . . . . .         | 1             | 77       | 593172   | CARBURETOR BODY ASSY. . . . .         | 1              |
| 18       | 310354   | ROLLER, Cam follower . . . . .        | 1             | 78       | 306352   | PLUG, Core . . . . .                  | 2              |
| 19       | 307454   | TUBE, High speed . . . . .            | 2             | 79       | 305243   | PLUG, Core . . . . .                  | 2              |
| 20       | 307019   | SCREW, Screen . . . . .               | 4             | 80       | 302812   | SCREW, Cam follower . . . . .         | 1              |
| 21       | 305292   | SCREEN, Intake . . . . .              | 2             | 81       | 300803   | WASHER, Follower screw . . . . .      | 1              |
| 22       | 307565   | PIN, Link, choke . . . . .            | 2             | 82       | 305230   | SCREW, Connector . . . . .            | 2              |
| 23       | 303212   | SCREW, Choke support . . . . .        | 1             | 83       | 305229   | CONNECTOR, Shafts . . . . .           | 1              |
| 24       | 304216   | BUSHING, Choke link . . . . .         | 1             | 84       | 306463   | PIN, Cotter, throttle shaft . . . . . | 1              |
| 25       | 377706   | KNOB, Choke control . . . . .         | 1             | 85       | 307596   | WASHER, Throttle shaft . . . . .      | 1              |
| 26       | 510244   | GROMMET, Choke knob . . . . .         | 1             | 86       | 303760   | SCREW, Valve to shaft . . . . .       | 4              |
| 27       | 306635   | SUPPORT, Choke knob . . . . .         | 1             | 87       | 554051   | VALVE, Throttle . . . . .             | 2              |
| 28       | 306309   | SCREW, Choke control spring . . . . . | 1             | 88       | 305228   | SHAFT, Throttle, stbd. . . . .        | 1              |
| 29       | 305221   | SPRING, Choke control . . . . .       | 1             | 89       | 377157   | SHAFT ASSY., Throttle, pt. . . . .    | 1              |
| 30       | 305907   | SPRING, Bellcrank . . . . .           | 1             | 90       | 310116   | SPRING, Throttle shaft . . . . .      | 1              |
| 31       | 306463   | PIN, Cotter, bellcrank . . . . .      | 1             | 91       | 377986   | FOLLOWER, Cam . . . . .               | 1              |
| 32       | 307596   | WASHER, Bellcrank . . . . .           | 1             | 92       | 303125   | PLUG, Drain screw . . . . .           | 2              |
| 33       | 305220   | LEVER, Choke . . . . .                | 1             | 93       | 554049   | PLUG, Orifice . . . . .               | 2              |
| 34       | 377155   | BELLCRANK & PIN . . . . .             | 1             | 94       | 551517   | SCREW, Slow speed knob . . . . .      | 2              |
| 35       | 203470   | RETAINER, Control gear . . . . .      | 1             | 95       | 307370   | KNOB, Slow speed adj. . . . .         | 2              |
| 36       | 305207   | GEAR, Control, high speed . . . . .   | 1             | 96       | 300179   | NUT, Packing . . . . .                | 2              |
| 37       | 303887   | WASHER, Control gear . . . . .        | 2             | 97       | 307369   | VALVE, Needle, slow spd. . . . .      | 2              |
| 38       | 302993   | SPRING, Control gear . . . . .        | 1             | 98       | 306027   | WASHER, Packing . . . . .             | 4              |
| 39       | 306474   | SCREW, Cover to body . . . . .        | 8             | 99       | 307583   | PACKING, Needle valve . . . . .       | 4              |
| 40       | 303616   | SCREW, Cover to body . . . . .        | 2             | 100      | 306003   | PLUG, Fuel passage . . . . .          | 2              |
| 41       | 310773   | COVER, Control gears . . . . .        | 1             | 101      | 304201   | SHOT, Lead . . . . .                  | 2              |
| 42       | 305218   | GASKET, Cover to body . . . . .       | 1             | 102      | 308124   | PLUG, Fuel passage . . . . .          | 2              |
| 43       | 378001   | VALVE & GEAR, High speed . . . . .    | 2             | 103      | 550078   | PLUG, Core . . . . .                  | 4              |
| 44       | 306788   | DETENT, Needle valve . . . . .        | 1             | 104      | 376806   | SOLENOID, Choke . . . . .             | 1              |
| 45       | 305242   | "O" RING, High speed . . . . .        | 4             | 105      | 306532   | SCREW, Solenoid bracket . . . . .     | 3              |
| 46       | 377823   | CARB. COVER ASSY. . . . .             | 1             | 106      | 551163   | LOCKWASHER, Bracket screw . . . . .   | 3              |
| 47       | 550078   | PLUG, Core . . . . .                  | 2             | 107      | 305096   | BRACKET, Choke solenoid . . . . .     | 1              |
| 48       | 308124   | PLUG, Fuel passage . . . . .          | 2             | 108      | 510193   | SCREW, Solenoid terminal . . . . .    | 1              |
| 49       | 307371   | SCREW, Valve to shaft . . . . .       | 4             | 109      | 301912   | PIN, Cotter, shaft pin . . . . .      | 1              |
| 50       | 306506   | LOCKWASHER, Valve screw . . . . .     | 4             | 110      | 306544   | WASHER, Pin, solenoid shaft . . . . . | 1              |
| 51       | 305219   | VALVE, Choke . . . . .                | 2             | 111      | 303738   | PIN, Solenoid shaft . . . . .         | 1              |
| 52       | 377154   | SHAFT ASSY., Choke . . . . .          | 1             | 112      | 303737   | SCREW, Yoke to bracket . . . . .      | 2              |
| 53       | 309650   | SCREW, Drive, hinge . . . . .         | 2             | 113      | 305244   | YOKE, Solenoid . . . . .              | 1              |
| 54       | 305223   | HINGE, Float arm . . . . .            | 1             | 114      | 303792   | COVER, Solenoid . . . . .             | 1              |
| 55       | 304201   | SHOT, Lead, passage . . . . .         | 2             | 115      | 377891   | PLUNGER, Solenoid . . . . .           | 1              |
| 56       | 307024   | WIRE, Air restriction . . . . .       | 2             | 116      | 303745   | SPRING, Solenoid plunger . . . . .    | 1              |
| 57       | 307529   | RING, Retaining, roller . . . . .     | 1             | 117      | 307352   | SET SCREW, Pivot pin . . . . .        | 1              |
| 58       | 305232   | SLEEVE, Cam follower . . . . .        | 1             |          |          |                                       |                |

\*Not shown

INDENTED PART NAMES INDICATE THAT THESE PARTS ARE INCLUDED IN PRECEDING ASSEMBLY

**ORDER ALL PARTS FROM YOUR LOCAL AUTHORIZED DEALER**



INDENTED PART NAMES INDICATE THAT THESE PARTS ARE INCLUDED IN PRECEDING ASSEMBLY  
**SPECIFY MODEL AND SERIAL NUMBER OF MOTOR WHEN ORDERING PARTS**

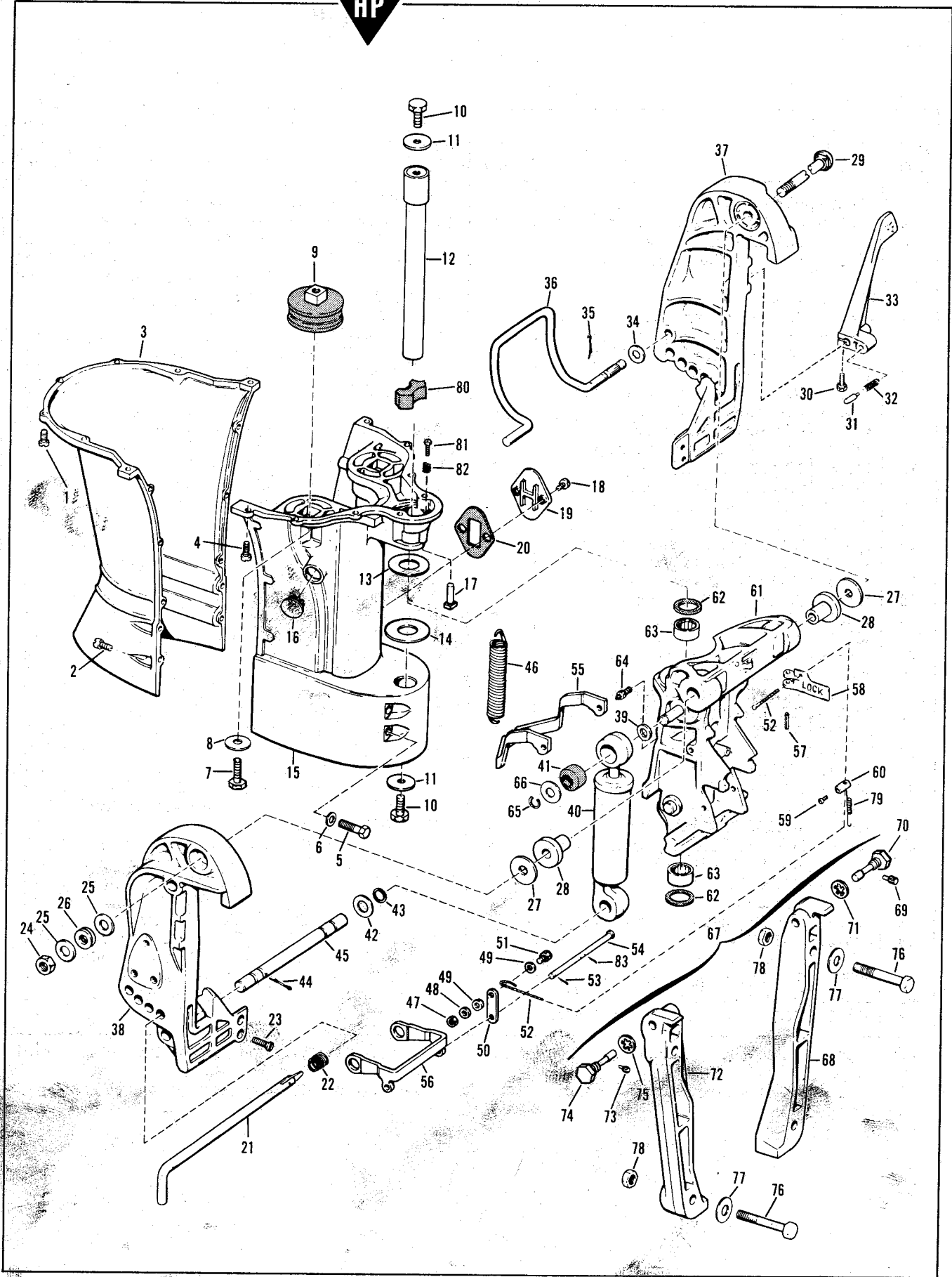
| REF. NO. | PART NO. | NAME OF PART                                    | QTY. PER ASSY. | REF. NO. | PART NO. | NAME OF PART                      | QTY. PER ASSY. |
|----------|----------|---|----------------|----------|----------|-----------------------------------|----------------|
| 1        | 306259   | SCREW, Thermostat cover . . .                   | 5              | 43       | 305145   | GROMMET, Water tube . . . .       | 2              |
| 2        | 306413   | WASHER, Therm. cover screw                      | 5              | †44      | 307530   | TUBE, Water, inlet, standard      | 1              |
| 3        | 305710   | COVER, Thermostat . . . . .                     | 1              | 45       | 305153   | GROMMET, Water tube . . . .       | 2              |
| 4        | 305587   | SPRING, Check valve . . . . .                   | 1              | †46      | 305533   | TUBE, Water, outlet, standard     | 1              |
| 5        | 305654   | VALVE, Check . . . . .                          | 1              | 47       | 305170   | GASKET, Adapter to coupling       | 2              |
| 6        | 305591   | SPRING, Vernatherm valve . .                    | 1              | 48       | 379281   | ADAPTER ASSEMBLY . . . . .        | 1              |
| 7        | 308070   | VALVE, Vernatherm . . . . .                     | 1              | 49       | 202103   | . PLUG, Expansion . . . . .       | 1              |
| 8        | 305586   | GASKET, Housing and cover . .                   | 2              | 50       | 310221   | . PLUG, Adapter . . . . .         | 1              |
| 9        | 305711   | PLATE, Thermostat housing . .                   | 1              | 51       | 309960   | TUBE, Exhaust, outer . . . . .    | 1              |
| 10       | 377276   | VERNATHERM . . . . .                            | 1              | 52       | 305536   | CLAMP, Boot, exh. relief . . .    | 1              |
| 11       | 305879   | SCREW, Thermostat housing . .                   | 4              | 53       | 307522   | SCREW, Cover plate . . . . .      | 2              |
| 12       | 306413   | WASHER, Housing screw . . . .                   | 4              | 54       | 303862   | PLATE, Cover, Exh. hsg. . . .     | 1              |
| 13       | 377326   | HOUSING, Thermostat . . . . .                   | 1              | 55       | 304023   | GASKET, Cover plate . . . . .     | 1              |
| 14       | 305589   | GASKET, Housing to adapter . .                  | 1              | 56       | 304024   | SCREW, Shift rod connector . .    | 2              |
| 15       | 305284   | SCREW, Detent spring . . . . .                  | 1              | 57       | 301551   | LOCKWASHER, Conn. screw . . .     | 2              |
| 16       | 305640   | SPRING, Detent, adapter . . . .                 | 1              | 58       | 303794   | CONNECTOR, Shift rod . . . . .    | 1              |
| 17       | 306463   | PIN, Cotter, detent rod . . . . .               | 4              | 59       | 306376   | PIN, Cotter, rod pin . . . . .    | 1              |
| 18       | 306358   | WASHER, Detent rod . . . . .                    | 2              | 60       | 304377   | PIN, Shift rod . . . . .          | 1              |
| 19       | 305483   | ROD, Detent to shift lock . . . .               | 1              | 61       | 308017   | SCREW, Shift rod clip . . . . .   | 1              |
| 20       | 301472   | NUT, Detent to plate . . . . .                  | 1              | 62       | 303721   | CLIP, Shift rod . . . . .         | 1              |
| 21       | 303887   | WASHER, Detent to plate . . . .                 | 1              | 63       | 305342   | LEVER, Shift rod . . . . .        | 1              |
| 22       | 305598   | BOLT, Carriage, detent . . . . .                | 1              | 64       | 305537   | ROD, Shift, upper . . . . .       | 1              |
| 23       | 306376   | PIN, Cotter, rod and plate . . . .              | 2              | 65       | 306387   | PIN, Cotter, shaft & arm . . . .  | 1              |
| 24       | 303715   | WASHER, Rod and plate . . . . .                 | 2              | 66       | 305538   | WASHER, Inner . . . . .           | 1              |
| 25       | 305618   | SCREW, Detent to adapter . . . .                | 1              | 67       | 305674   | ROD, Adjustment plate . . . . .   | 1              |
| 26       | 304051   | WASHER, Detent . . . . .                        | 1              | 68       | 306012   | WASHER, Bow, shaft & arm . . .    | 1              |
| 27       | 377275   | PLATE & PIN, Detent adjust. . .                 | 1              | 69       | 305650   | PIN, Cotter, link and rod . . . . | 4              |
| 28       | 305639   | DETENT, Adapter, gear shift . . .               | 1              | 70       | 303887   | WASHER, Link and rod . . . . .    | 6              |
| 29       | 309956   | GASKET, Adapter to powerhead                    | 1              | 71       | 305831   | SHIM, Link . . . . .              | AR             |
| 30       | 305513   | SCREW, Mount to adapter . . . .                 | 2              | 72       | 302473   | WASHER, Bow, link . . . . .       | 2              |
| 31       | 305273   | WASHER, Mount screw . . . . .                   | 2              | 73       | 305675   | LINK, Shift rod . . . . .         | 1              |
| 32       | 302510   | SCREW, Adapter to tube . . . . .                | 5              | 74       | 379240   | SHAFT & ARM ASSEMBLY . . . .      | 1              |
| 33       | 306320   | NUT, Adapter to powerhead . . .                 | 6              | 75       | 303191   | . "O" RING, Shift lever shaft . . | 2              |
| 34       | 306799   | WASHER, Adapter nut . . . . .                   | 6              | 76       | 307256   | . FITTING, Lubrication . . . . .  | 1              |
| 35       | 306500   | SCREW, Tube to powerhead . . . .                | 6              | 77       | 305402   | BOOT, Exhaust relief . . . . .    | 1              |
| 36       | 306470   | LOCKWASHER, Tube screw . . . .                  | 6              | 78       | 305403   | RETAINER, Relief spring . . . .   | 1              |
| 37       | 309957   | GASKET, Adapter to outer exhaust tube . . . . . | 1              | 79       | 305397   | SPRING, Exhaust relief . . . . .  | 1              |
| 38       | 300630   | SCREW, Inner exhaust tube . . . .               | 5              | 80       | 302863   | SCREW, Lower front mount . . . .  | 4              |
| 39       | 305152   | GASKET, Inner to outer exhaust tube . . . . .   | 1              | 81       | 301250   | WASHER, Mount screw . . . . .     | 4              |
| 40       | 305062   | TUBE, Exhaust, inner . . . . .                  | 1              | 82       | ††       | RUBBER MOUNT, Lower front         | 1              |
| 41       | 306461   | SCREW, Coupling . . . . .                       | 4              | 83       | 305651   | RUBBER MOUNT, Lower side          | 2              |
| 42       | 305181   | COUPLING, Water tube flange                     | 2              | 84       | 305314   | SEAL RING, Exhaust tube . . . .   | 1              |
|          |          |   |                | 85       | 309064   | GASKET, Inner exh. tube . . . .   | 1              |

†These part numbers are for standard length models only. For long shaft models see special listing on gear case page.

††For models with standard gear case use part No. 377972. For models with heavy duty gear case use part No. 379930-

INDENTED PART NAMES INDICATE THAT THESE PARTS ARE INCLUDED IN PRECEDING ASSEMBLY

**ORDER ALL PARTS FROM YOUR LOCAL AUTHORIZED DEALER**



INDENTED PART NAMES INDICATE THAT THESE PARTS ARE INCLUDED IN PRECEDING ASSEMBLY  
**SPECIFY MODEL AND SERIAL NUMBER OF MOTOR WHEN ORDERING PARTS**

| REF. NO. | PART NO. | NAME OF PART                      | QTY. PER ASSY. | REF. NO. | PART NO. | NAME OF PART                       | QTY. PER ASSY. |
|----------|----------|-----------------------------------|----------------|----------|----------|------------------------------------|----------------|
| 1        | 310861   | SCREW, Rear cover to pan . . .    | 7              | 43       | 303347   | "O" RING, Shock absorber . . . . . | 4              |
| 2        | 305745   | SCREW, Exh. housing covers . .    | 10             |          |          |                                    |                |
| 3        | 305099   | COVER, Exh. hsg., rear . . . .    | 1              | 44       | 302804   | PIN, Cotter, pivot pin . . . . .   | 2              |
| 4        | 310861   | SCREW, Front cover to pan . .     | 8              | 45       | 307229   | PIN, Pivot, stern bracket . . .    | 1              |
| 5        | 306503   | SCREW, Lower front mount . . .    | 4              | 46       | 305642   | SPRING, Rev. lock lever . . . .    | 2              |
| 6        | 301250   | WASHER, Mount screw . . . . .     | 4              | 47       | 304753   | NUT, Cable to connector . . . .    | 1              |
| 7        | 305513   | SCREW, Upper mount . . . . .      | 2              | 48       | 305847   | WASHER, Connector . . . . .        | 1              |
| 8        | 305273   | WASHER, Mount screw . . . . .     | 2              | 49       | 300721   | WASHER, Cable connector . . . .    | 2              |
| 9        | **       | RUBBER MOUNT, Upper . . . . .     | 2              | 50       | 307511   | CONNECTOR, Rev. lock cable . .     | 1              |
| 10       | 305513   | SCREW, Pivot shaft . . . . .      | 2              | 51       | 305401   | SCREW, Cable to connector . . .    | 1              |
| 11       | 305273   | WASHER, Pivot shaft screw . . .   | 2              | 52       | 377925   | CABLE, Release, rev. lock . . .    | 1              |
| 12       | 377227   | PIVOT SHAFT & BUSHING . . . .     | 1              | 53       | 306285   | PIN, Cotter, rev. lock rod . . .   | 1              |
| 13       | 305637   | WASHER, Thrust, top . . . . .     | 1              | 54       | 305157   | ROD, Reverse lock . . . . .        | 1              |
| 14       | 305638   | WASHER, Thrust, bottom . . . .    | 1              | 55       | 307265   | LEVER, Reverse locking . . . . .   | 1              |
| 15       | 310750   | COVER, Exh. hsg., front . . . .   | 1              | 56       | 305635   | LINK, Reverse lock . . . . .       | 1              |
| 16       | 305275   | PLUG, Button . . . . .            | 1              | 57       | 308695   | PIN, Reverse lock lever . . . . .  | 1              |
| 17       | 310742   | PIN, Steering friction . . . . .  | 1              | 58       | 307231   | LEVER, Manual, rev. lock . . .     | 1              |
| 18       | 303397   | SCREW, Cover plate . . . . .      | 2              | 59       | 304221   | SCREW, Collar to cable . . . . .   | 1              |
| 19       | 305405   | PLATE, Cover, exh. hsg. . . . .   | 1              | 60       | 304222   | COLLAR, Cable . . . . .            | 1              |
| 20       | 305396   | GASKET, Cover plate . . . . .     | 1              | 61       | 378206   | SWIVEL BRACKET ASSY . . . . .      | 1              |
| 21       | 377930   | THRUST ROD & RETAINER . . . . .   | 1              | 62       | 303804   | SEAL, Pivot shaft . . . . .        | 2              |
| 22       | 307068   | SPRING, Thrust rod . . . . .      | 1              | 63       | 377135   | BEARING, Needle . . . . .          | 2              |
| 23       | 306335   | SCREW, Stern bracket . . . . .    | 2              | 64       | 307256   | FITTING, Lubrication . . . . .     | 1              |
| 24       | 305590   | NUT, Tilting bolt . . . . .       | 1              | 65       | 307763   | RETAINER, Shock abs. . . . .       | 2              |
| 25       | 303913   | WASHER, Tilting bolt . . . . .    | 2              | 66       | 307764   | WASHER, Outer, shock abs. . . .    | 2              |
| 26       | 305155   | SPRING, Tilting shaft bolt . . .  | 1              | 67       | 278230   | TRANSOM MOUNTING KIT . . . . .     | 1              |
| 27       | 305684   | WASHER, Bushing . . . . .         | 2              | 68       | 278228   | CLAMP ASSEMBLY, Port . . . . .     | 1              |
| 28       | 305686   | BUSHING, Tilting shaft . . . . .  | 2              | 69       | 307222   | PIN, Clamp . . . . .               | 1              |
| 29       | 307226   | BOLT, Tilting shaft . . . . .     | 1              | 70       | 307236   | BOLT, Lock . . . . .               | 1              |
| 30       | 307524   | SCREW, Lock handle . . . . .      | 2              | 71       | 307237   | LOCKWASHER, Lock bolt . . . . .    | 1              |
| 31       | 307275   | DETENT, Trailer lock handle . . . | 1              | 72       | 278229   | CLAMP ASSEMBLY, Stbd. . . . .      | 1              |
| 32       | 300327   | SPRING, Trailer lock detent . . . | 1              | 73       | 307222   | PIN, Clamp . . . . .               | 1              |
| 33       | 307276   | HANDLE, Trailer lock . . . . .    | 1              | 74       | 307236   | BOLT, Lock . . . . .               | 1              |
| 34       | 307536   | WASHER, Trailer lock . . . . .    | 1              | 75       | 307237   | LOCKWASHER, Lock bolt . . . . .    | 1              |
| 35       | 552906   | PIN, Cotter, trailer lock . . . . | 1              | 76       | 307221   | SCREW, Clamp to transom . . . .    | 4              |
| 36       | 307245   | LOCK, Trailer . . . . .           | 1              | 77       | 307238   | WASHER, Clamp screw . . . . .      | 4              |
| 37       | 307281   | BRACKET, Stern, port . . . . .    | 1              | 78       | 307407   | NUT, Clamp screw . . . . .         | 4              |
| 38       | 307282   | BRACKET, Stern, stbd. . . . .     | 1              | *        | 307316   | INSTRUCTION TEMPLATE . . . . .     | 1              |
| 39       | 307224   | WASHER, Inner, shock abs. . . .   | 2              | 79       | 307408   | SPRING, Collar to bracket . . . .  | 1              |
| 40       | 379148   | SHOCK ABSORBER ASSY . . . . .     | 2              | 80       | 310741   | SEAL, Housing to cover . . . . .   | 1              |
| 41       | 377954   | RUBBER MOUNT, Shock abs. . . .    | 1              | 81       | 302820   | SCREW, Steering friction . . . .   | 1              |
| 42       | 307225   | WASHER, Pin, shock abs. . . . .   | 4              | 82       | 551113   | SPRING, Steering friction . . . .  | 1              |

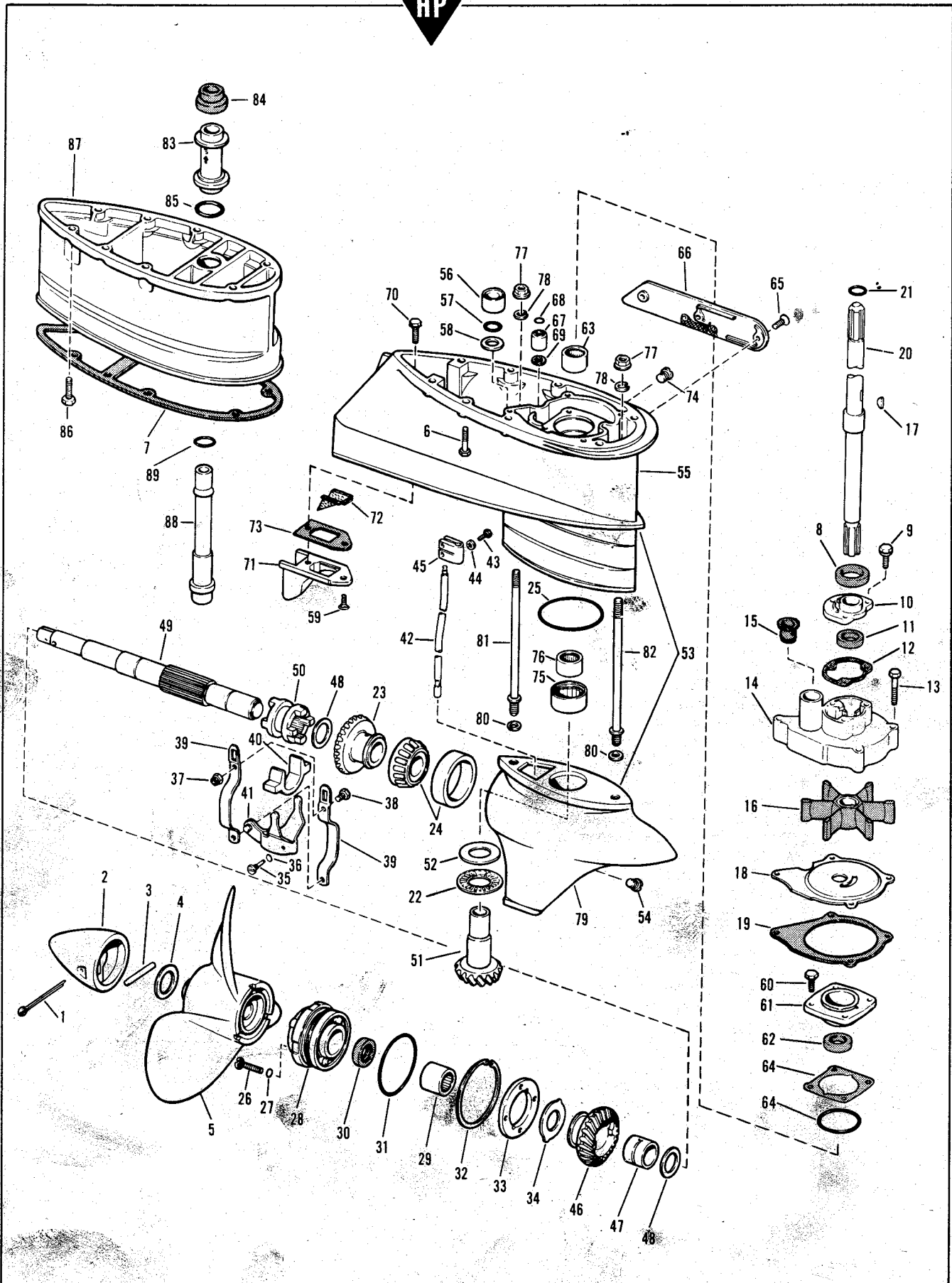
\*Not shown.

\*\*For models with standard gearcase use part no. 377292.

For models with heavy duty gearcase use part no. 379931.

INDENTED PART NAMES INDICATE THAT THESE PARTS ARE INCLUDED IN PRECEDING ASSEMBLY

**ORDER ALL PARTS FROM YOUR LOCAL AUTHORIZED DEALER**



INDENTED PART NAMES INDICATE THAT THESE PARTS ARE INCLUDED IN PRECEDING ASSEMBLY  
**SPECIFY MODEL AND SERIAL NUMBER OF MOTOR WHEN ORDERING PARTS**





| REF. NO. | PART NO. | NAME OF PART  | QTY. PER ASSY. | REF. NO.               | PART NO. | NAME OF PART  | QTY. PER ASSY. |
|----------|----------|---|----------------|------------------------|----------|---|----------------|
| 1        | 307244   | PIN, Cotter, prop. nut . . . . .                      | 1              | 48                     | 307079   | WASHER, Thrust . . . . .                            | 2              |
| 2        | 377924   | PROPELLER NUT & KEY . . . . .                         | 1              | 49                     | 378605   | SHAFT, Propeller . . . . .                          | 1              |
| 3        | 307217   | PIN, Drive . . . . .                                  | 1              | 50                     | 307095   | DOG, Clutch, shifter . . . . .                      | 1              |
| 4        | 304576   | WASHER, Thrust, propeller . . . . .                   | 1              | 51                     | 308561   | PINION, Driveshaft . . . . .                        | 1              |
| 5        | 378040   | PROPELLER, 10-1/4 x 10, or . . . . .                  | 1              | 52                     | 307836   | WASHER, Thrust, pinion brg . . . . .                | 1              |
| 5        | 377978   | PROPELLER, 10 x 11, or . . . . .                      | 1              | 53                     | 378972   | GEARCASE & BEARING ASSY., Upper and lower . . . . . | 1              |
| 5        | 378039   | PROPELLER, 10 x 12, or . . . . .                      | 1              | 54                     | 307551   | PLUG & WASHER . . . . .                             | 1              |
| 5        | 593437   | PROPELLER, 9-1/2 x 10, or . . . . .                   | 1              | 55                     | 378973   | GEARCASE ASSY., Upper . . . . .                     | 1              |
| 5        | 379260   | PROPELLER, 10 x 9-1/4 . . . . .                       | 1              | 56                     | 305468   | BUSHING, Water tube . . . . .                       | 1              |
| 6        | 307298   | SCREW, Gearcase . . . . .                             | 8              | 57                     | 305146   | "O" RING, Water tube . . . . .                      | 1              |
| 7        | 305312   | GASKET, Gearcase to housing . . . . .                 | 1              | 58                     | 305142   | WASHER, Bushing . . . . .                           | 1              |
| 8        | 305762   | SEAL, Impeller hsg. cover . . . . .                   | 1              | 59                     | 307112   | SCREW, Outlet . . . . .                             | 1              |
| 9        | 305756   | SCREW, Impeller hsg. cover . . . . .                  | 3              | 60                     | 307339   | SCREW, Bearing cap . . . . .                        | 4              |
| 10       | 378392   | IMPELLER HOUSING COVER ASSEMBLY . . . . .             | 1              | 61                     | 380245   | BEARING CAP ASSY. . . . .                           | 1              |
| 11       | 308073   | SEAL, Water pump . . . . .                            | 1              | 62                     | 307115   | RETAINER, Oil . . . . .                             | 1              |
| 12       | 305755   | GASKET, Cover, Impeller housing . . . . .             | 1              | 63                     | 377135   | BEARING, Needle . . . . .                           | 1              |
| 13       | 305514   | SCREW, Impeller housing . . . . .                     | 4              | **64                   | 302588   | "O" RING, Bearing cap . . . . .                     | 1              |
| †14      | 379481   | IMPELLER HOUSING ASSY. . . . .                        | 1              | **64                   | 308413   | GASKET, Bearing cap . . . . .                       | 1              |
| 15       | 310372   | GROMMET, Water tube . . . . .                         | 1              | 65                     | 307112   | SCREW, By-pass cover . . . . .                      | 3              |
| 16       | 377992   | IMPELLER . . . . .                                    | 1              | 66                     | 378971   | COVER, Water by-pass . . . . .                      | 1              |
| 17       | 308928   | KEY, Impeller . . . . .                               | 1              | 67                     | 307054   | BUSHING, Shift rod . . . . .                        | 1              |
| †18      | 305434   | PLATE, Impeller housing . . . . .                     | 1              | 68                     | 305242   | "O" RING, Shift rod . . . . .                       | 1              |
| 19       | 309204   | GASKET, Impeller hsg. plate . . . . .                 | 1              | 69                     | 305512   | GASKET, Shift rod . . . . .                         | 1              |
| 20       | 378622   | SHAFT, Drive, standard . . . . .                      | 1              | 70                     | 307524   | SCREW, Outlet . . . . .                             | 1              |
| 21       | 553127   | SEAL, Drive shaft to crank case . . . . .             | 1              | 71                     | 308307   | OUTLET, Exhaust . . . . .                           | 1              |
| *        | 378974   | GEARCASE ASSEMBLY, Less driveshaft and pump . . . . . | 1              | 72                     | 308320   | SCREEN, Intake . . . . .                            | 1              |
| 22       | 378262   | BEARING, Thrust, pinion . . . . .                     | 1              | 73                     | 309340   | GASKET, Intake . . . . .                            | 1              |
| 23       | 377870   | GEAR & BUSHING, Forward . . . . .                     | 1              | 74                     | 307551   | PLUG & WASHER . . . . .                             | 1              |
| 24       | 377874   | BEARING, Prop. shaft . . . . .                        | 1              | 75                     | 378264   | BEARING, Pinion . . . . .                           | 1              |
| 25       | 307103   | SEAL, Gearcase halves . . . . .                       | 1              | 76                     | 377132   | BEARING, Needle . . . . .                           | 1              |
| 26       | 307087   | SCREW ASSEMBLY, Gearcase head . . . . .               | 4              | 77                     | 307160   | NUT, Gearcase stud . . . . .                        | 2              |
| 27       | 307853   | SEAL, Screw . . . . .                                 | 1              | 78                     | 552993   | WASHER, Gearcase stud . . . . .                     | 2              |
| 28       | 377885   | GEARCASE HEAD ASSY. . . . .                           | 1              | 79                     | 378590   | GEARCASE ASSY., Lower . . . . .                     | 1              |
| 29       | 377868   | BEARING, Head . . . . .                               | 1              | 80                     | 307086   | GASKET, Stud . . . . .                              | 2              |
| 30       | 307088   | RETAINER, Oil . . . . .                               | 1              | 81                     | 307085   | STUD, Rear . . . . .                                | 1              |
| 31       | 307082   | "O" RING, Gearcase head . . . . .                     | 1              | 82                     | 307084   | STUD, Front . . . . .                               | 1              |
| 32       | 307080   | RING, Retaining . . . . .                             | 1              | FIVE INCH LONGER PARTS |          |   |                |
| 33       | 307078   | PLATE, Retaining, head . . . . .                      | 1              | *                      | 380063   | TUBE, Water, inlet, long . . . . .                  | 1              |
| 34       | 307093   | WASHER, Thrust, reverse . . . . .                     | 1              | *                      | 305535   | TUBE, Water, outlet, long . . . . .                 | 1              |
| 35       | 308376   | PIVOT PIN ASSEMBLY . . . . .                          | 1              | 42                     | 307232   | ROD, Shift, lower, long . . . . .                   | 1              |
| 36       | 307853   | SEAL, Pin . . . . .                                   | 1              | *                      | 378351   | EXTENSION KIT ASSEMBLY . . . . .                    | 1              |
| 37       | 553078   | NUT, Yoke screw . . . . .                             | 1              | 7                      | 305312   | GASKET, Extension . . . . .                         | 1              |
| 38       | 306860   | SCREW, Shifter yoke . . . . .                         | 1              | 20                     | 378623   | SHAFT, Drive, long . . . . .                        | 1              |
| 39       | 307098   | YOKE, Shifter . . . . .                               | 2              | 43                     | 304024   | SCREW, Connector . . . . .                          | 2              |
| 40       | 307090   | CRADLE, Shifter . . . . .                             | 1              | 44                     | 301551   | LOCKWASHER, Conn. . . . .                           | 2              |
| 41       | 377867   | SHIFTER LEVER & PIN . . . . .                         | 1              | 45                     | 304081   | CONNECTOR, Shift rod, long . . . . .                | 1              |
| 42       | 307094   | ROD, Shift, lower, standard . . . . .                 | 1              | 83                     | 307240   | TUBE, Extension . . . . .                           | 1              |
| 43       | 304024   | SCREW, Connector . . . . .                            | 1              | 84                     | 305760   | GROMMET, Extension tube . . . . .                   | 1              |
| 44       | 301551   | LOCKWASHER, Conn. . . . .                             | 1              | 85                     | 307239   | "O" RING, Extension tube . . . . .                  | 1              |
| 45       | 303794   | CONNECTOR, Shift rod, std. . . . .                    | 1              | 86                     | 307298   | SCREW, Extension . . . . .                          | 8              |
| 46       | 307074   | GEAR, Reverse . . . . .                               | 1              | 87                     | 307179   | EXTENSION, Gearcase . . . . .                       | 1              |
| 47       | 307096   | BUSHING, Reverse gear . . . . .                       | 1              | 88                     | 306563   | EXTENSION, Water tube . . . . .                     | 2              |
|          |          |   |                | 89                     | 553127   | "O" RING, Tube extension . . . . .                  | 2              |

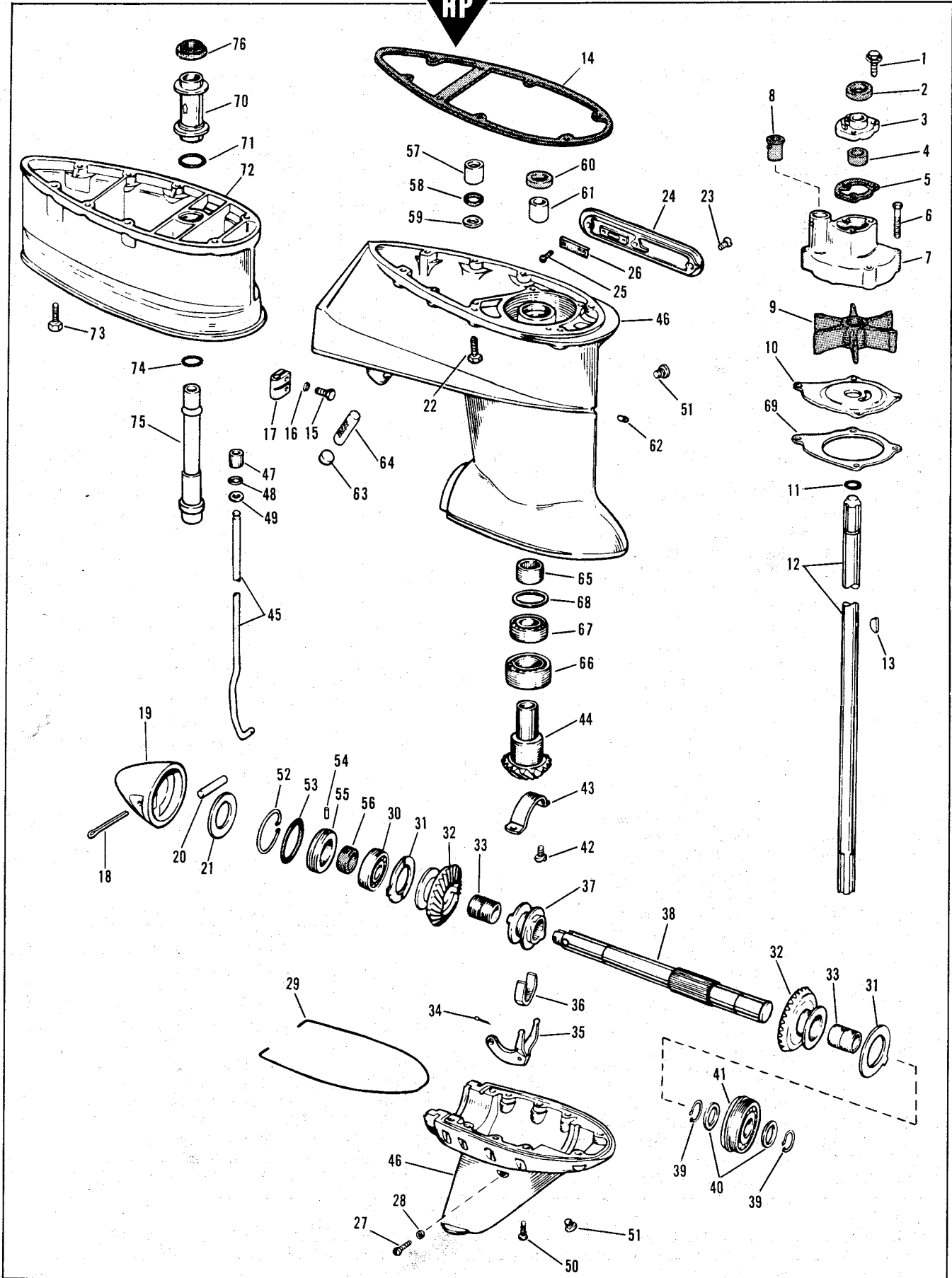
\*Not shown.

†A heavy duty (chrome plated bronze) impeller housing and plate is available. Order part no. 377460.

\*\*Due to a change in the bearing cap, some motors utilize an "O" ring - others a gasket. Replace in kind, do not interchange - do not use both.

INDENTED PART NAMES INDICATE THAT THESE PARTS ARE INCLUDED IN PRECEDING ASSEMBLY

**ORDER ALL PARTS FROM YOUR LOCAL AUTHORIZED DEALER**



INDENTED PART NAMES INDICATE THAT THESE PARTS ARE INCLUDED IN PRECEDING ASSEMBLY  
**SPECIFY MODEL AND SERIAL NUMBER OF MOTOR WHEN ORDERING PARTS**

| REF. NO. | PART NO. | NAME OF PART                        | QTY. PER ASSY. | REF. NO.               | PART NO. | NAME OF PART                      | QTY. PER ASSY. |
|----------|----------|-------------------------------------|----------------|------------------------|----------|-----------------------------------|----------------|
| 1        | 305756   | SCREW, Impeller hsg. cover . .      | 3              | 46                     | 379989   | GEARCASE & BEARING                |                |
| 2        | 305762   | SEAL, Impeller hsg. cover . . .     | 1              |                        |          | ASSY., Upper & lower . . .        | 1              |
| 3        | 305754   | COVER, Impeller housing . . . .     | 1              | 47                     | 307054   | BUSHING, Shift rod . . . .        | 1              |
| 4        | 308073   | SEAL, Impeller housing . . . . .    | 1              | 48                     | 305242   | "O" RING, Shift rod . . . .       | 1              |
| 5        | 305755   | GASKET, Housing cover . . . . .     | 1              | 49                     | 305512   | GASKET, Shift rod . . . . .       | 1              |
| 6        | 305514   | SCREW, Impeller housing . . . . .   | 4              | 50                     | 304070   | SCREW, Gearcase . . . . .         | 10             |
| †7       | 379481   | IMPELLER HOUSING ASSY. . . . .      | 1              | 51                     | 307551   | PLUG & WASHER . . . . .           | 2              |
| 8        | 310372   | GROMMET, Water tube . . . . .       | 1              | 52                     | 305558   | RING, Retaining . . . . .         | 1              |
| 9        | 377992   | IMPELLER, Water pump . . . . .      | 1              | 53                     | 305276   | "O" RING, Gearcase . . . . .      | 1              |
| †10      | 305434   | PLATE, Impeller housing . . . . .   | 1              | 54                     | 300611   | DOWEL, Ret. housing . . . . .     | 1              |
| 11       | 553127   | "O" RING, Driveshaft . . . . .      | 1              | 55                     | 305071   | HOUSING, Oil retainer . . . .     | 1              |
| 12       | 311088   | SHAFT, Drive, standard . . . . .    | 1              | 56                     | 305158   | RETAINER, Oil . . . . .           | 1              |
| 13       | 308928   | KEY, Impeller . . . . .             | 1              | 57                     | 305468   | BUSHING, Water tube . . . . .     | 1              |
| 14       | 305312   | GASKET, Gearcase . . . . .          | 1              | 58                     | 305146   | "O" RING, Water tube . . . . .    | 1              |
| 15       | 304024   | SCREW, Shift rod conn. . . . .      | 2              | 59                     | 305142   | WASHER, Bushing . . . . .         | 1              |
| 16       | 301551   | LOCKWASHER, Conn. screw . . . .     | 2              | 60                     | 305149   | RETAINER, Oil . . . . .           | 1              |
| 17       | 303794   | CONNECTOR, Shift rod, std. . . . .  | 1              | 61                     | 305437   | BUSHING, Driveshaft . . . . .     | 1              |
| 18       | 305511   | PIN, Cotter, prop. nut . . . . .    | 1              | 62                     | 305074   | PLUG, Gearcase . . . . .          | 1              |
| 19       | 305400   | NUT, Propeller . . . . .            | 1              | 63                     | 305073   | PLUG, Water intake . . . . .      | 1              |
| 20       | 305500   | PIN, Drive, propeller . . . . .     | 1              | 64                     | 305072   | SCREEN, Water intake . . . . .    | 1              |
| 21       | 305498   | WASHER, Thrust, propeller . . . .   | 1              | 65                     | 377132   | BEARING, Pinion, upper . . . .    | 1              |
| 22       | 307298   | SCREW, Gearcase . . . . .           | 8              | 66                     | 377133   | BEARING, Pinion, lower . . . .    | 1              |
| *        | 379990   | GEARCASE ASSEMBLY, Less             |                | 67                     | 377658   | BEARING, Thrust, pinion . . . .   | 1              |
|          |          | drive shaft & pump . . . . .        | 1              | 68                     | 306287   | SHIM, .006" . . . . .             | ††             |
| 23       | 305143   | SCREW, By-pass cover . . . . .      | 3              | 68                     | 306288   | SHIM, .008" . . . . .             | ††             |
| 24       | 305453   | COVER, Water by-pass . . . . .      | 1              | 68                     | 306289   | SHIM, .010" . . . . .             | ††             |
| 25       | 305452   | SCREW, By-pass screen . . . . .     | 2              | 68                     | 306290   | SHIM, .012" . . . . .             | ††             |
| 26       | 305451   | SCREEN, Water by-pass . . . . .     | 1              | 68                     | 306291   | SHIM, .0135" . . . . .            | ††             |
| 27       | 305277   | PIN, Pivot, lever . . . . .         | 1              | 68                     | 306292   | SHIM, .015" . . . . .             | ††             |
| 28       | 304083   | WASHER, Pivot pin . . . . .         | 1              | 69                     | 309204   | GASKET, Plate to housing . . . .  | 1              |
| 29       | **       | SEAL, Gearcase halves . . . . .     | 1              | FIVE INCH LONGER PARTS |          |                                   |                |
| 30       | 377141   | BEARING, Rear . . . . .             | 1              | *                      | 380063   | TUBE, Water inlet, long . . . . . | 1              |
| 31       | 305141   | WASHER, Thrust, gears . . . . .     | 2              | *                      | 305535   | TUBE, Water outlet, long . . . .  | 1              |
| 32       | 305317   | GEAR, Forward & reverse . . . . .   | 2              | *                      | 377471   | EXTENSION KIT ASSY. . . . .       | 1              |
| 33       | 305180   | BUSHING, Gear . . . . .             | 2              | 12                     | 311089   | SHAFT, Drive, long . . . . .      | 1              |
| 34       | 306406   | PIN, Cotter, rod to lever . . . . . | 1              | 14                     | 305312   | GASKET, Extension . . . . .       | 1              |
| 35       | 305719   | LEVER, Shifter . . . . .            | 1              | 15                     | 304024   | SCREW, Shift rod conn. . . . .    | 2              |
| 36       | 305272   | CRADLE, Clutch dog . . . . .        | 1              | 16                     | 301551   | LOCKWASHER, Conn. screw . . . .   | 2              |
| 37       | 305315   | DOG, Clutch, shifter . . . . .      | 1              | 17                     | 304081   | CONNECTOR, Rod, long . . . . .    | 1              |
| 38       | 311062   | SHAFT, Propeller . . . . .          | 1              | 70                     | 307240   | TUBE, Extension . . . . .         | 1              |
| 39       | 305160   | RING, Retaining, bearing . . . . .  | 2              | 71                     | 307239   | "O" RING, Extension tube . . . .  | 1              |
| 40       | 305159   | WASHER, Thrust, front . . . . .     | 2              | 72                     | 307179   | EXTENSION, Gearcase . . . . .     | 1              |
| 41       | 377134   | BEARING, Front . . . . .            | 1              | 73                     | 307298   | SCREW, Extension . . . . .        | 8              |
| 42       | 303311   | SCREW, Support . . . . .            | 2              | 74                     | 553127   | "O" RING, Tube extension . . . .  | 2              |
| 43       | 305147   | SUPPORT, Driveshaft . . . . .       | 1              | 75                     | 306563   | EXTENSION, Water tube . . . . .   | 2              |
| 44       | 305313   | GEAR, Pinion . . . . .              | 1              | 76                     | 305760   | GROMMET, Extension tube . . . .   | 1              |
| 45       | 305499   | ROD, Shift, lower . . . . .         | 1              |                        |          |                                   |                |

\*Not shown.

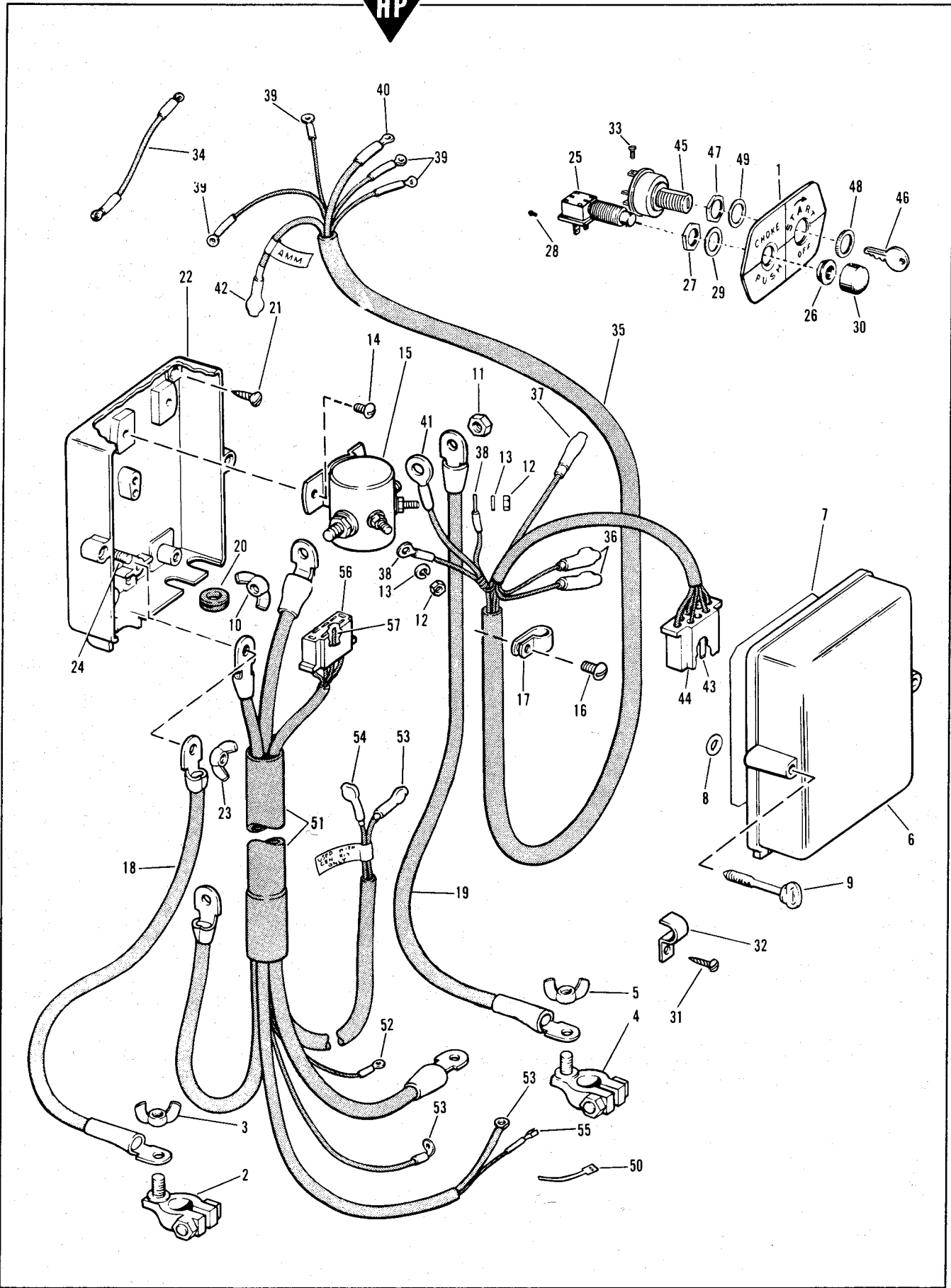
\*\*Cut from 309044-50' roll. Cutting length: 19-1/2".

†A heavy duty (chrome plated bronze) impeller housing & plate is available. Order part no. 377460.

††Only one shim, of the required thickness, is used with this assembly.

INDENTED PART NAMES INDICATE THAT THESE PARTS ARE INCLUDED IN PRECEDING ASSEMBLY

**ORDER ALL PARTS FROM YOUR LOCAL AUTHORIZED DEALER**



INDENTED PART NAMES INDICATE THAT THESE PARTS ARE INCLUDED IN PRECEDING ASSEMBLY  
SPECIFY MODEL AND SERIAL NUMBER OF MOTOR WHEN ORDERING PARTS



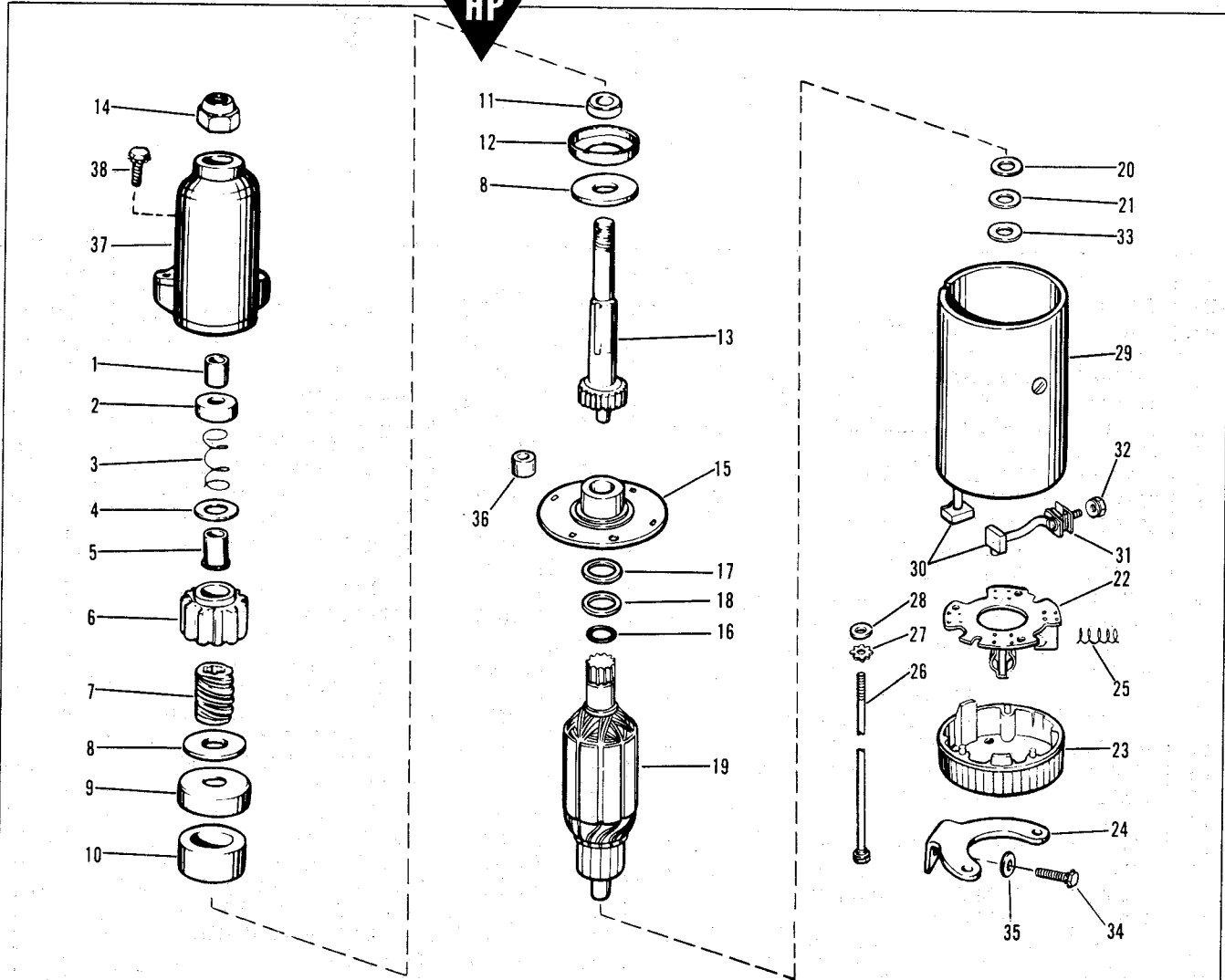
| REF. NO. | PART NO. | NAME OF PART                     | QTY. PER ASSY. | REF. NO. | PART NO. | NAME OF PART                   | QTY. PER ASSY. |
|----------|----------|----------------------------------|----------------|----------|----------|--------------------------------|----------------|
| 1        | 553298   | PLATE, Switch . . . . .          | 1              | 30       | 203660   | COVER, Button, switch . . .    | 1              |
| *        | 379532   | JUNCTION BOX ASSEMBLY . .        | 1              | 31       | 310115   | SCREW, Clamp to boat . . . .   | 4              |
| 2        | 277709   | TERMINAL ASSY., Negative .       | 1              | 32       | 304494   | CLAMP, Cable to boat . . . .   | 4              |
| 3        | 203980   | NUT, Wing . . . . .              | 1              | 33       | 306559   | SCREW, Switch terminal . .     | 4              |
| 4        | 277708   | TERMINAL ASSY., Positive .       | 1              | 34       | 377976   | CABLE, Choke switch . . . .    | 1              |
| 5        | 203979   | NUT, Wing . . . . .              | 1              | 35       | 379536   | SWITCH PLATE TO JUNC-          |                |
| 6        | 379979   | JUNCTION BOX COVER               |                |          |          | TION BOX CABLE ASSY. .         | 1              |
|          |          | ASSEMBLY . . . . .               | 1              | 36       | 309437   | TERMINAL, Slip on . . . .      | 2              |
| 7        | 310776   | TRANSFER, Wiring . . . . .       | 1              | 37       | 204035   | TERMINAL, Slip on . . . .      | 1              |
| 8        | 307950   | RING, Retaining . . . . .        | 2              | 38       | 204036   | TERMINAL, Ring . . . . .       | 2              |
| 9        | 307987   | SCREW, Thumb . . . . .           | 2              | 39       | 204037   | TERMINAL, Ring . . . . .       | 4              |
| 10       | 203532   | NUT, Wing, cable to solenoid     | 1              | 40       | 204038   | TERMINAL, Ring . . . . .       | 1              |
| 11       | 303783   | NUT, Cable to solenoid . . . .   | 1              | 41       | 204053   | TERMINAL, Ring . . . . .       | 1              |
| 12       | 306556   | NUT, Wire to solenoid . . . .    | 2              | 42       | 204039   | TERMINAL, Ring . . . . .       | 1              |
| 13       | 120052   | LOCKWASHER, Wire nut . . . .     | 2              | 43       | 510473   | TERMINAL, Line conn. . . .     | 6              |
| 14       | 303274   | SCREW, Solenoid to base . . . .  | 2              | 44       | 510475   | HOUSING, Line connector        | 1              |
| 15       | 378444   | SOLENOID, Starting switch . .    | 1              | 45       | 379047   | STARTER SWITCH ASSY. . .       | 1              |
| 16       | 305010   | SCREW, Cable clamp . . . . .     | 1              | 46       | **       | KEY, Ignition . . . . .        | 2              |
| 17       | 307444   | CLAMP, Cable to base . . . . .   | 1              | 47       | 304644   | NUT, Hex . . . . .             | 1              |
| †18      | 277633   | CABLE, Battery, negative . . . . | 1              | 48       | 204366   | NUT, Face . . . . .            | 1              |
| †19      | 277632   | CABLE, Battery, positive . . . . | 1              | 49       | 309893   | WASHER, Switch . . . . .       | 1              |
| 20       | 304922   | GROMMET, Cable, positive . . . . | 1              | 50       | 305021   | STRAP, Generator leads . . . . | 1              |
| 21       | 303776   | SCREW, Base to boat . . . . .    | 3              | 51       | 379598   | MOTOR TO JUNCTION              |                |
| 22       | 378254   | JUNCTION BOX BASE ASSY.          | 1              |          |          | BOX CABLE ASSEMBLY . .         | 1              |
| 23       | 203511   | NUT, Wing, ground stud . . . .   | 1              | 52       | 304603   | TERMINAL, Ring . . . . .       | 1              |
| 24       | 308027   | STUD, Ground . . . . .           | 1              | 53       | 204036   | TERMINAL, Ring . . . . .       | 3              |
| 25       | 277757   | CHOKE SWITCH ASSEMBLY            | 1              | 54       | 204037   | TERMINAL, Ring . . . . .       | 1              |
| 26       | 203658   | NUT, Choke switch . . . . .      | 1              | 55       | 204034   | TERMINAL, Slip on . . . . .    | 1              |
| 27       | 305778   | NUT, Choke switch . . . . .      | 1              | 56       | 510474   | HOUSING, Line connector . .    | 1              |
| 28       | 306559   | SCREW, Terminal . . . . .        | 2              | 57       | 510466   | TERMINAL, Line conn. . . .     | 6              |
| 29       | 301663   | WASHER, Choke switch . . . . .   | 1              | *        | 309358   | CASING, Cable . . . . .        | 1              |

†Battery cable assemblies are available in longer lengths.

|        |   |        |   |
|--------|---|--------|---|
| 277699 | Battery cable assembly, negative, 5 ft. | 277698 | Battery cable assembly, positive, 5 ft. |
| 277702 | Battery cable assembly, negative, 7 ft. | 277701 | Battery cable assembly, positive, 7 ft. |
| 277704 | Battery cable assembly, negative, 9 ft. | 277703 | Battery cable assembly, positive, 9 ft. |

\*Not shown.  
 \*\*For replacement or spare keys, send key number, ie. KF-9, etc., and fifty cents for each key desired to:  
 STEVENS EXPERIMENTAL CO.  
 2015 GRAND AVENUE  
 WAUKEGAN, ILLINOIS

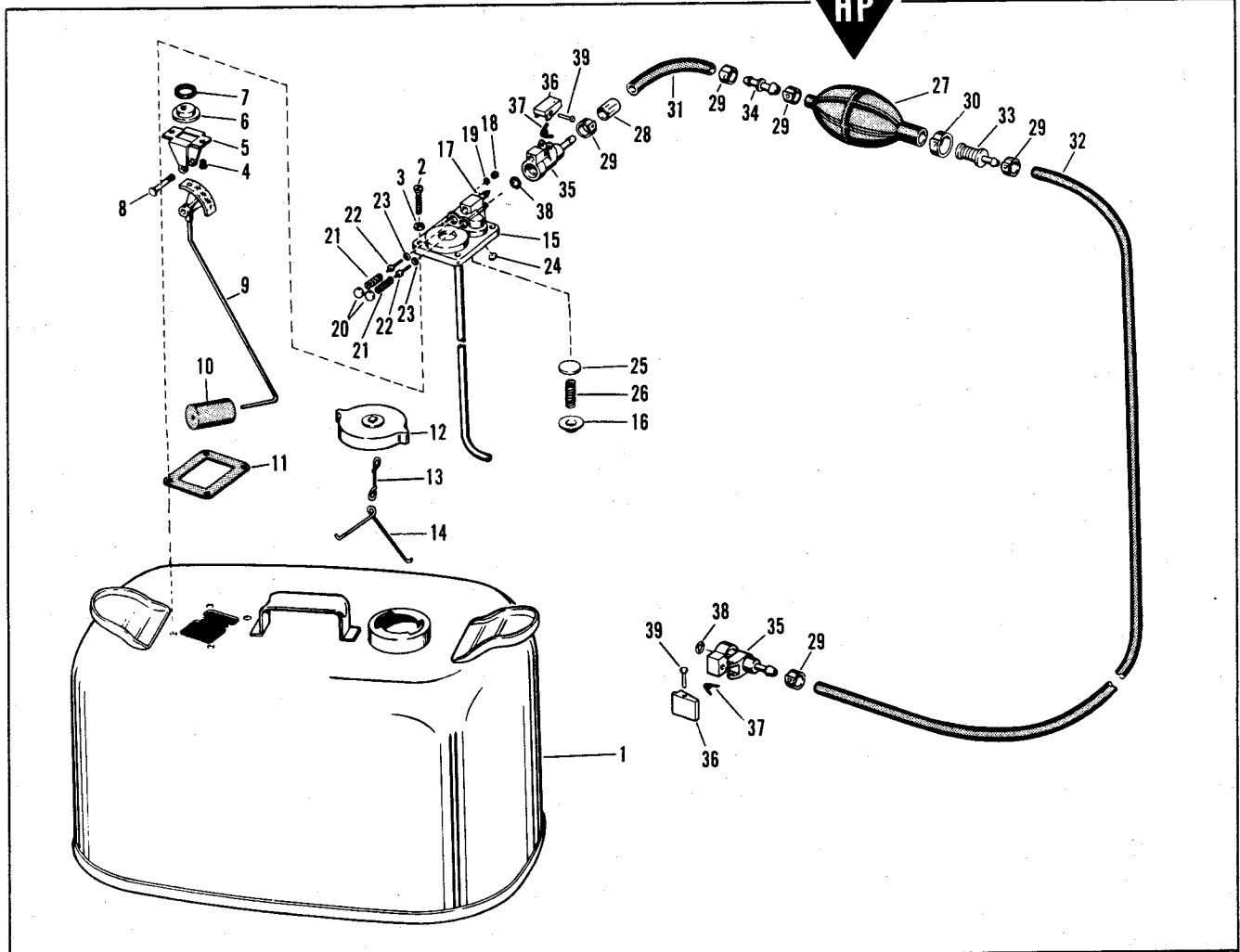
INDENTED PART NAMES INDICATE THAT THESE PARTS ARE INCLUDED IN PRECEDING ASSEMBLY  
**ORDER ALL PARTS FROM YOUR LOCAL AUTHORIZED DEALER**



| REF. NO. | PART NO. | NAME OF PART                 | QTY. PER ASSY. | REF. NO. | PART NO. | NAME OF PART                 | QTY. PER ASSY. |
|----------|----------|------------------------------|----------------|----------|----------|------------------------------|----------------|
| *        | 378228   | STARTER DRIVE ASSEMBLY       | 1              | 19       | 379971   | ARMATURE ASSY. . . . .       | 1              |
| 1        | 305545   | SLEEVE, Bendix drive . . .   | 1              | 20       | 204760   | WASHER, Thrust, .045"        | 1              |
| 2        | 204375   | STOP, Pinion . . . . .       | 1              | 21       | 204587   | WASHER, Thrust, 1/32"        | As Req.        |
| 3        | 204078   | SPRING, Anti-drift . . . . . | 1              | 22       | 379967   | BRUSH PLATE & HOLDER         | 1              |
| 4        | 204071   | WASHER, Pinion . . . . .     | 1              | 23       | 379966   | HEAD, Commutator . . . . .   | 1              |
| 5        | 204374   | SLEEVE, Anti-drift spring    | 1              | 24       | 307341   | BRACKET, Mounting . . . . .  | 1              |
| 6        | 307784   | PINION, Starter drive . . .  | 1              | 25       | 311128   | SPRING, Brushes . . . . .    | 1              |
| 7        | 204377   | SCREW SHAFT, Pinion . . .    | 1              | 26       | 311101   | THRU BOLT . . . . .          | 2              |
| 8        | 204070   | WASHER, Thrust . . . . .     | 2              | 27       | 306488   | LOCKWASHER, Thru bolt .      | 2              |
| 9        | 204379   | CAP, Cushion, upper . . . .  | 1              | 28       | 302471   | WASHER, Thru bolt . . . .    | 2              |
| 10       | 204381   | CUSHION, Pinion . . . . .    | 1              | 29       | 379972   | FRAME & FIELD . . . . .      | 1              |
| 11       | 204378   | SPACER, Cushion . . . . .    | 1              | 30       | 379992   | BRUSH SET ASSY. . . . .      | 1              |
| 12       | 204380   | CAP, Cushion, lower . . . .  | 1              | 31       | 379991   | BRUSH & TERMINAL . . . .     | 1              |
| 13       | 378178   | GEAR & SHAFT ASSY. . . . .   | 1              | 32       | 311129   | NUT, Lock, hex . . . . .     | 1              |
| 14       | 307396   | NUT, Bendix drive . . . . .  | 1              | 33       | 311001   | WASHER, Thrust . . . . .     | 1              |
| *        | 379819   | STARTER MOTOR ASSY. . . .    | 1              | 34       | 307342   | SCREW, Starter support . . . | 1              |
| 15       | 379973   | HEAD, Drive end . . . . .    | 1              | 35       | 302471   | WASHER, Support screw . . .  | 1              |
| 16       | 310996   | "O" RING, Armature . . . . . | 1              | 36       | 305851   | SEAL, Motor to crankcase .   | 1              |
| 17       | 204589   | WASHER, Fibre, 1/32" . . . . | 1              | 37       | 378212   | HOUSING, Starter drive . . . | 1              |
| 18       | 204588   | WASHER, Steel, .042" . . . . | 1              | 38       | 553566   | SCREW, Housing to c'case . . | 1              |

\*Not Shown

INDENTED PART NAMES INDICATE THAT THESE PARTS ARE INCLUDED IN PRECEDING ASSEMBLY  
**SPECIFY MODEL AND SERIAL NUMBER OF MOTOR WHEN ORDERING PARTS**



| REF. NO. | PART NO. | NAME OF PART                                 | QTY. PER ASSY. | REF. NO. | PART NO. | NAME OF PART                              | QTY. PER ASSY. |
|----------|----------|--|----------------|----------|----------|---|----------------|
| 1        | 593191   | FUEL TANK ASSEMBLY . . . . .                 | 1              | 21       | 307856   | . . SPRING, Valve . . . . .               | 2              |
| 2        | 304889   | . SCREW, Upper housing . . . . .             | 4              | 22       | 305859   | . . VALVE, Release . . . . .              | 2              |
| 3        | 305863   | . WASHER . . . . .                           | 4              | 23       | 305857   | . . "O" RING, Valve seat . . . . .        | 2              |
| 4        | 302751   | . SCREW, Indicator support . . . . .         | 2              | 24       | 305243   | . . PLUG, Core . . . . .                  | 1              |
| 5        | 305864   | . SUPPORT, Indicator . . . . .               | 1              | 25       | 307862   | . . VALVE, Disc . . . . .                 | 1              |
| 6        | 302568   | . LENS, Indicator . . . . .                  | 1              | 26       | 307860   | . . SPRING, Disc valve . . . . .          | 1              |
| 7        | 302571   | . SEAL, Indicator lens . . . . .             | 1              | *        | 377433   | HOSE & PRIMER BULB ASSY..                 | 1              |
| 8        | 305821   | . PIN, Indicator . . . . .                   | 1              | 27       | 553164   | . BULB, Primer . . . . .                  | 1              |
| 9        | 378295   | . INDICATOR . . . . .                        | 1              | 28       | 306801   | . SLEEVE, Hose . . . . .                  | 1              |
| 10       | 302559   | . FLOAT, Indicator . . . . .                 | 1              | 29       | 303596   | . CLAMP, Hose, small . . . . .            | 5              |
| 11       | 305867   | . GASKET, Housing to tank . . . . .          | 1              | 30       | 553166   | . CLAMP, Hose, large . . . . .            | 1              |
| 12       | 377536   | . FUEL TANK CAP ASSY. . . . .                | 1              | 31       | 305871   | . HOSE, Short . . . . .                   | 1              |
| 13       | 305994   | . . LINK, Anchor . . . . .                   | 1              | †32      | 305872   | . HOSE, Large . . . . .                   | 1              |
| 14       | 552331   | . . ANCHOR, Cap . . . . .                    | 1              | 33       | 592242   | . VALVE, Outlet . . . . .                 | 1              |
| 15       | 378303   | . UPPER HOUSING & FUEL<br>LINE ASSY. . . . . | 1              | 34       | 591841   | . VALVE, Inlet . . . . .                  | 1              |
| 16       | 307861   | . . RETAINER, Disc valve<br>spring . . . . . | 1              | 35       | 376156   | . CONNECTOR HOUSING<br>ASSEMBLY . . . . . | 2              |
| 17       | 308081   | . . PIN, Guide . . . . .                     | 1              | 36       | 301830   | . . LOCK, Connector . . . . .             | 1              |
| 18       | 307857   | . . RETAINER, Valve . . . . .                | 1              | 37       | 301829   | . . SPRING, Connector . . . . .           | 1              |
| 19       | 307858   | . . "O" RING . . . . .                       | 1              | 38       | 303598   | . . "O" RING, Connector seal . . . . .    | 1              |
| 20       | 303405   | . . PLUG, Core . . . . .                     | 2              | 39       | 301832   | . . RIVET, Connector . . . . .            | 1              |
|          |          |  |                | *        | 379780   | DECAL SET . . . . .                       | 1              |

\*Not shown

†When special length hoses are required, order under Part No. 306240 and specify length.

INDENTED PART NAMES INDICATE THAT THESE PARTS ARE INCLUDED IN PRECEDING ASSEMBLY

**ORDER ALL PARTS FROM YOUR LOCAL AUTHORIZED DEALER**